



GetSet

MB310



G=Grey
B=Black

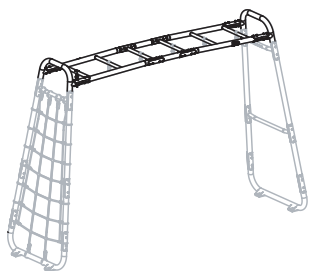
 **WARNING**
CHOKING HAZARD
small parts
Adult assembly required
retain for future reference



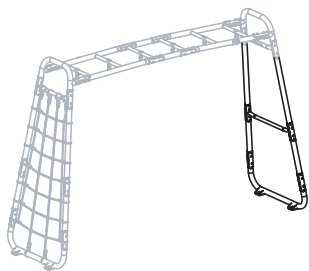
02



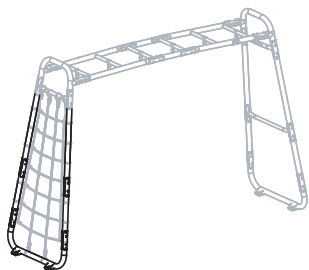
10



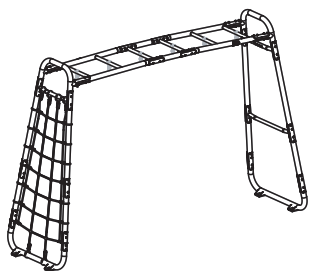
16



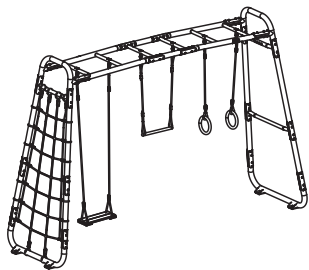
22

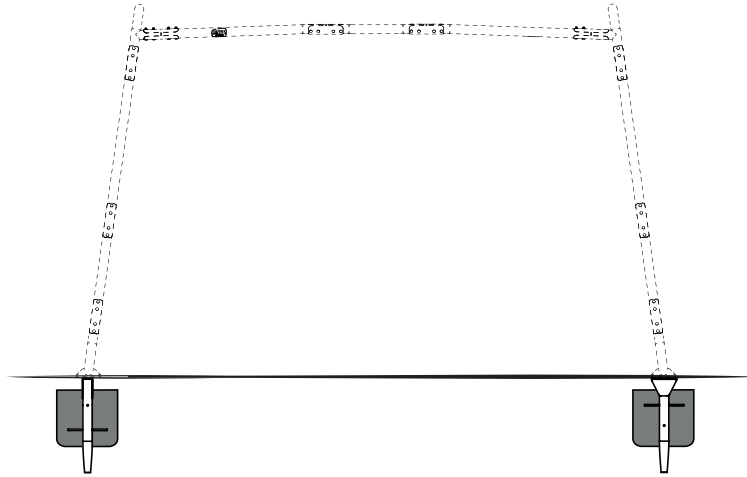


28

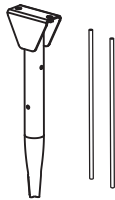


40



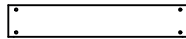


1



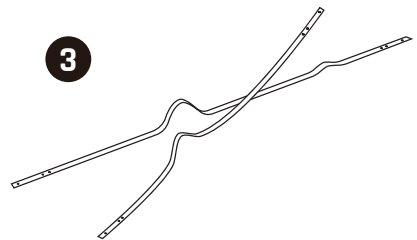
G	61.80.30.20	4X
B	61.80.30.30	

2



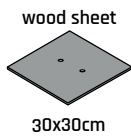
61.82.50.50	2X
-------------	----

3



61.85.50.60	1X
-------------	----

4



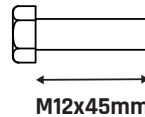
1X

5



Ø37*Ø13*3.0	8X
-------------	----

6



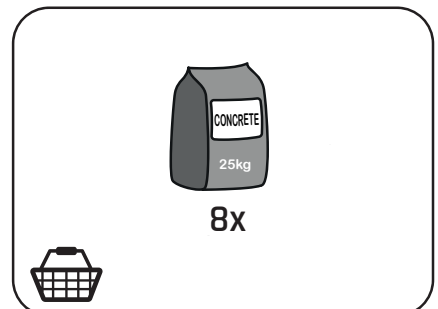
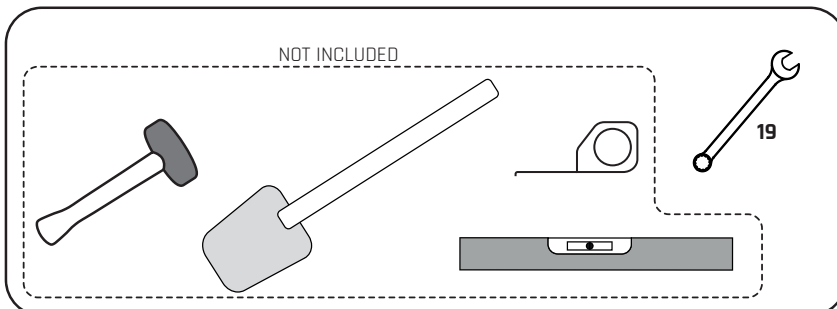
M12x45mm	8X
----------	----

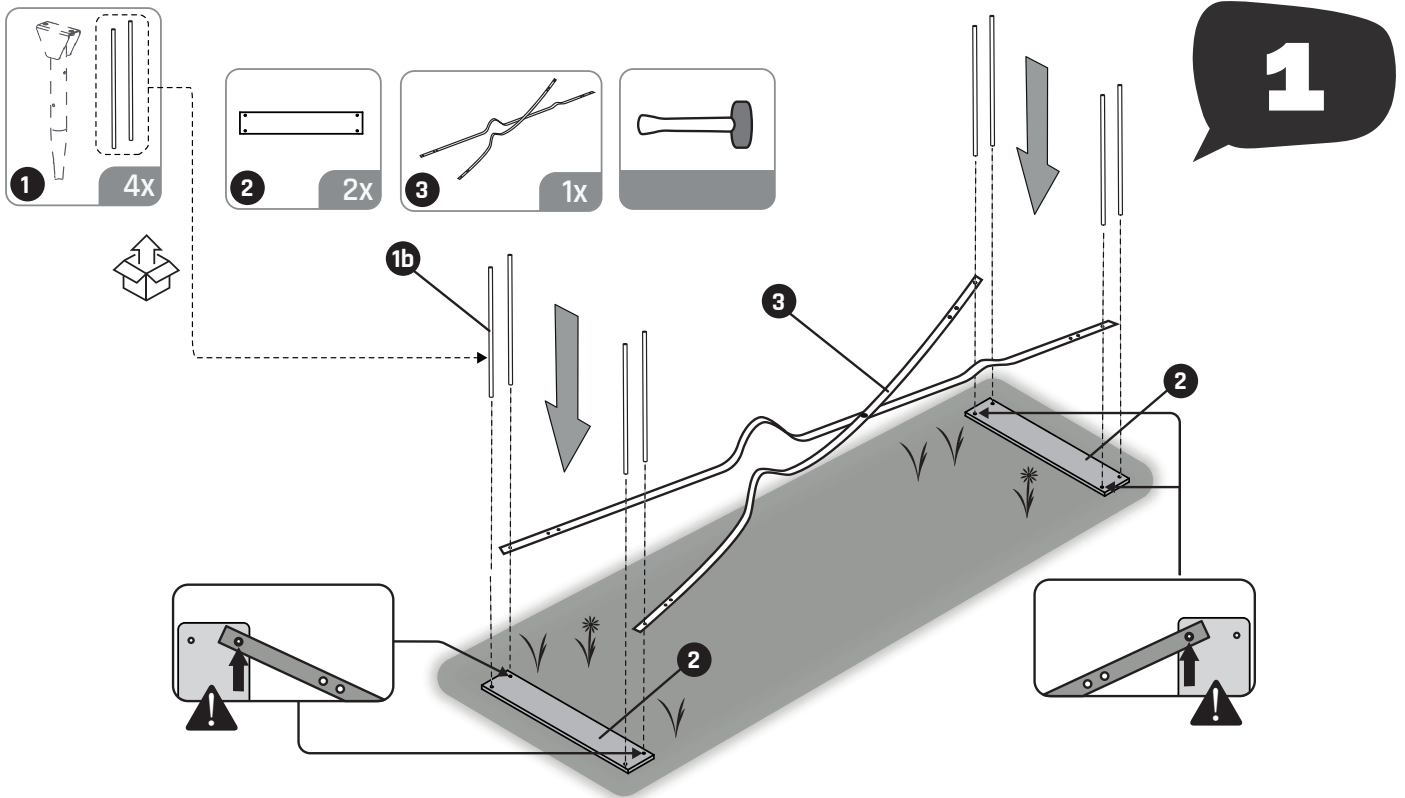
7



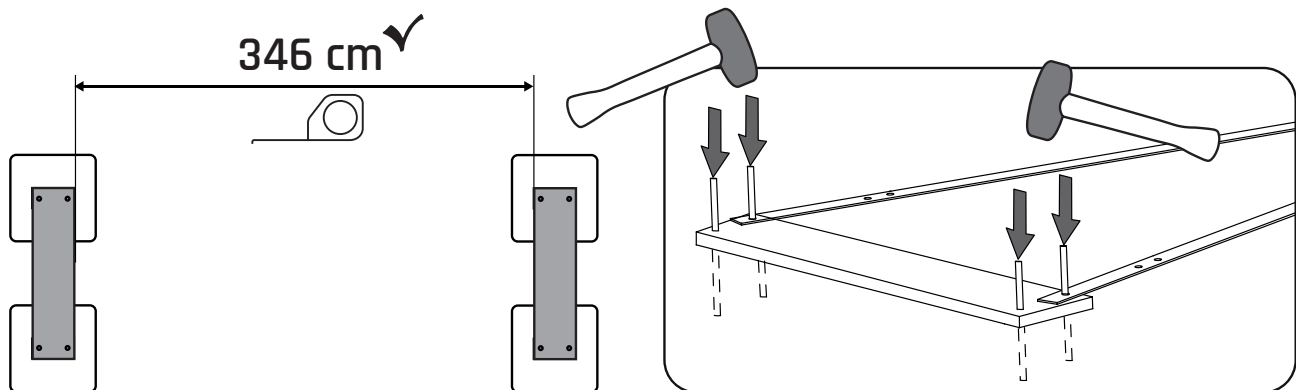
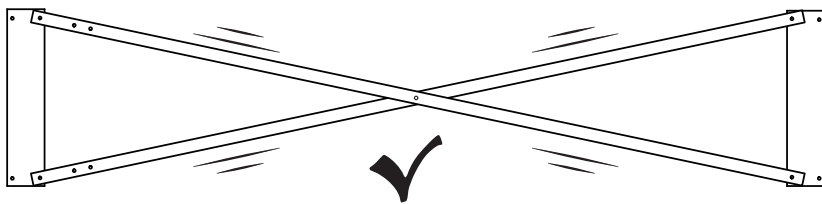
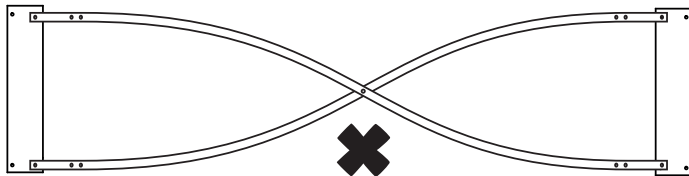
Ø13	8X
-----	----

G	61.82.40.20	2X
B	61.82.40.25	

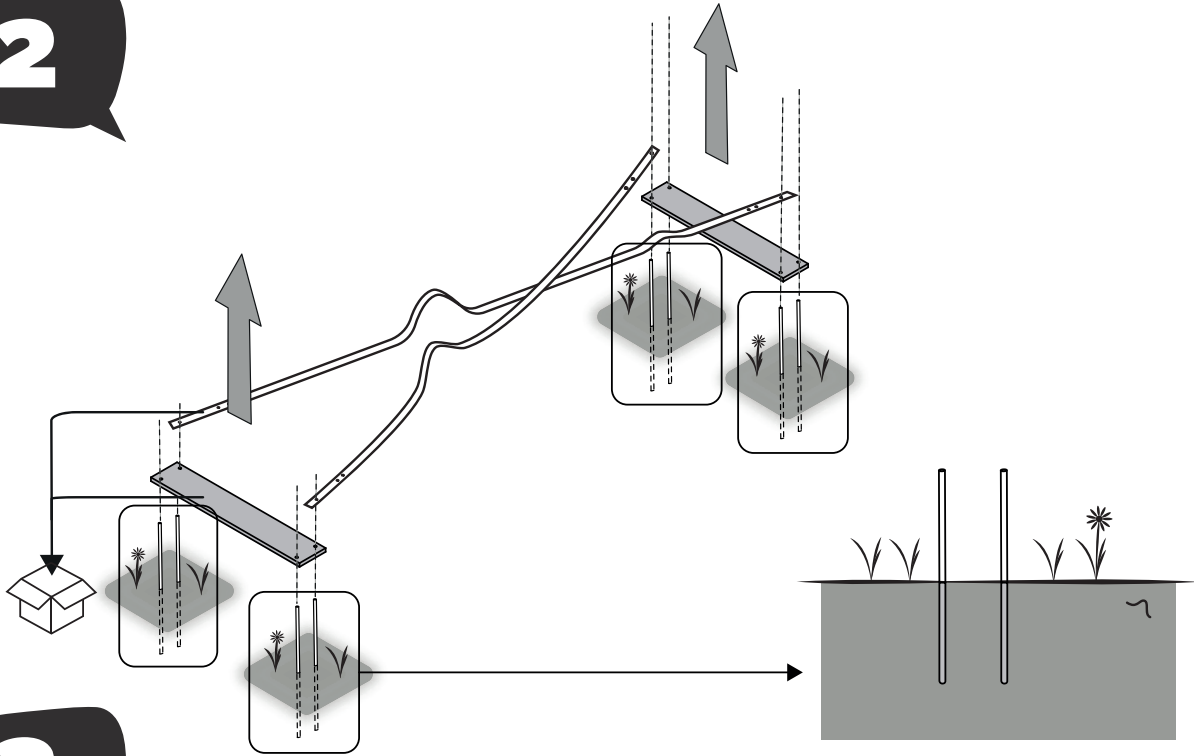




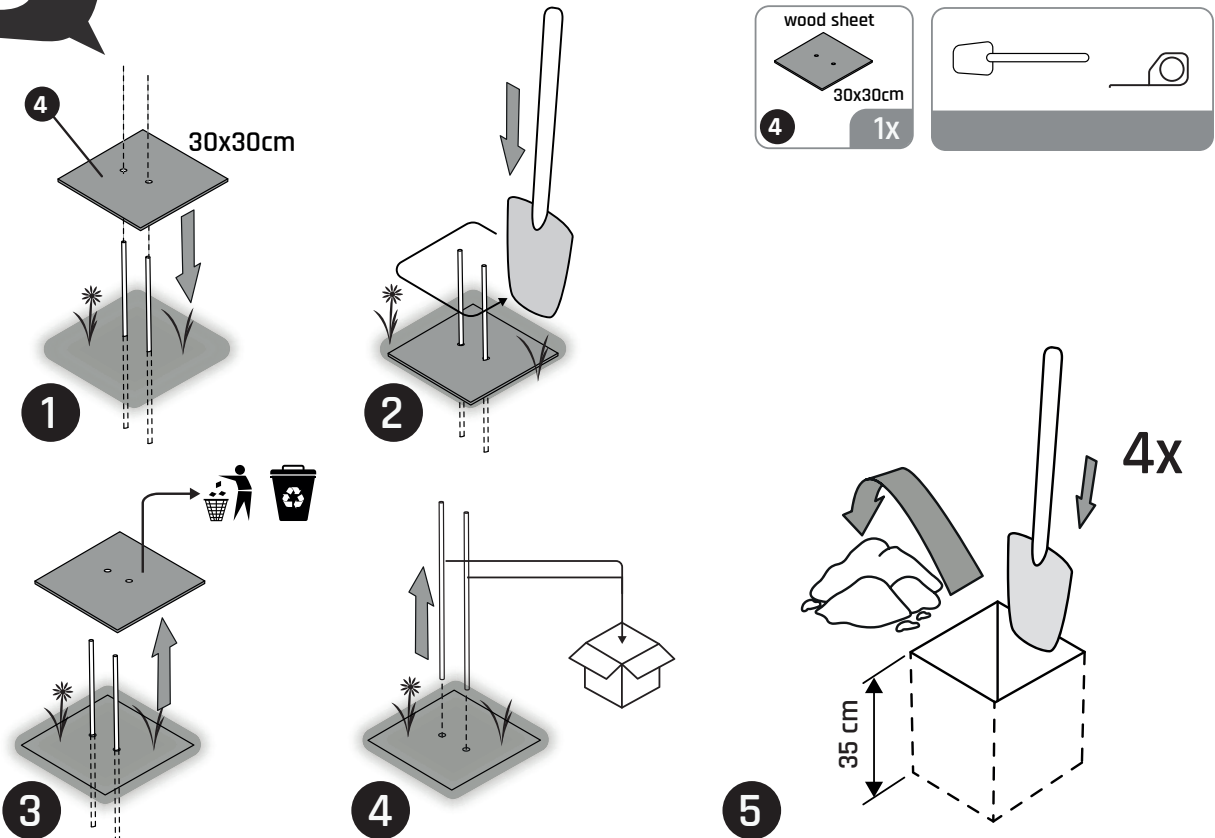
MB 300

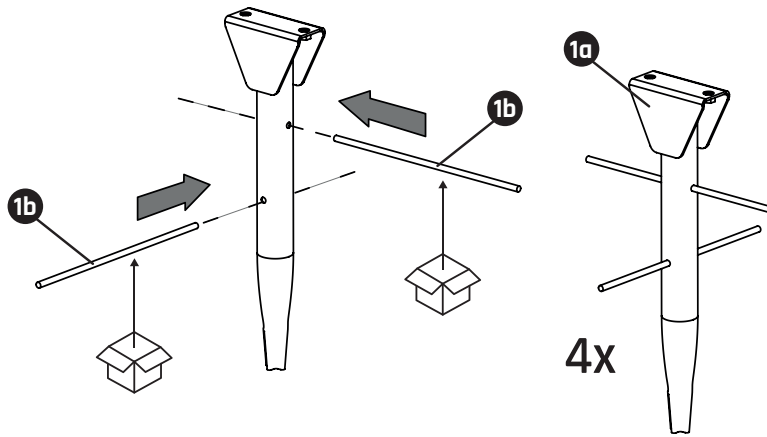
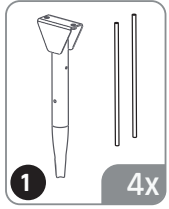


2

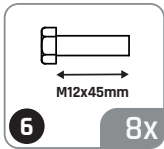
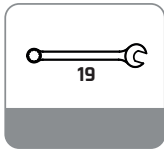


3

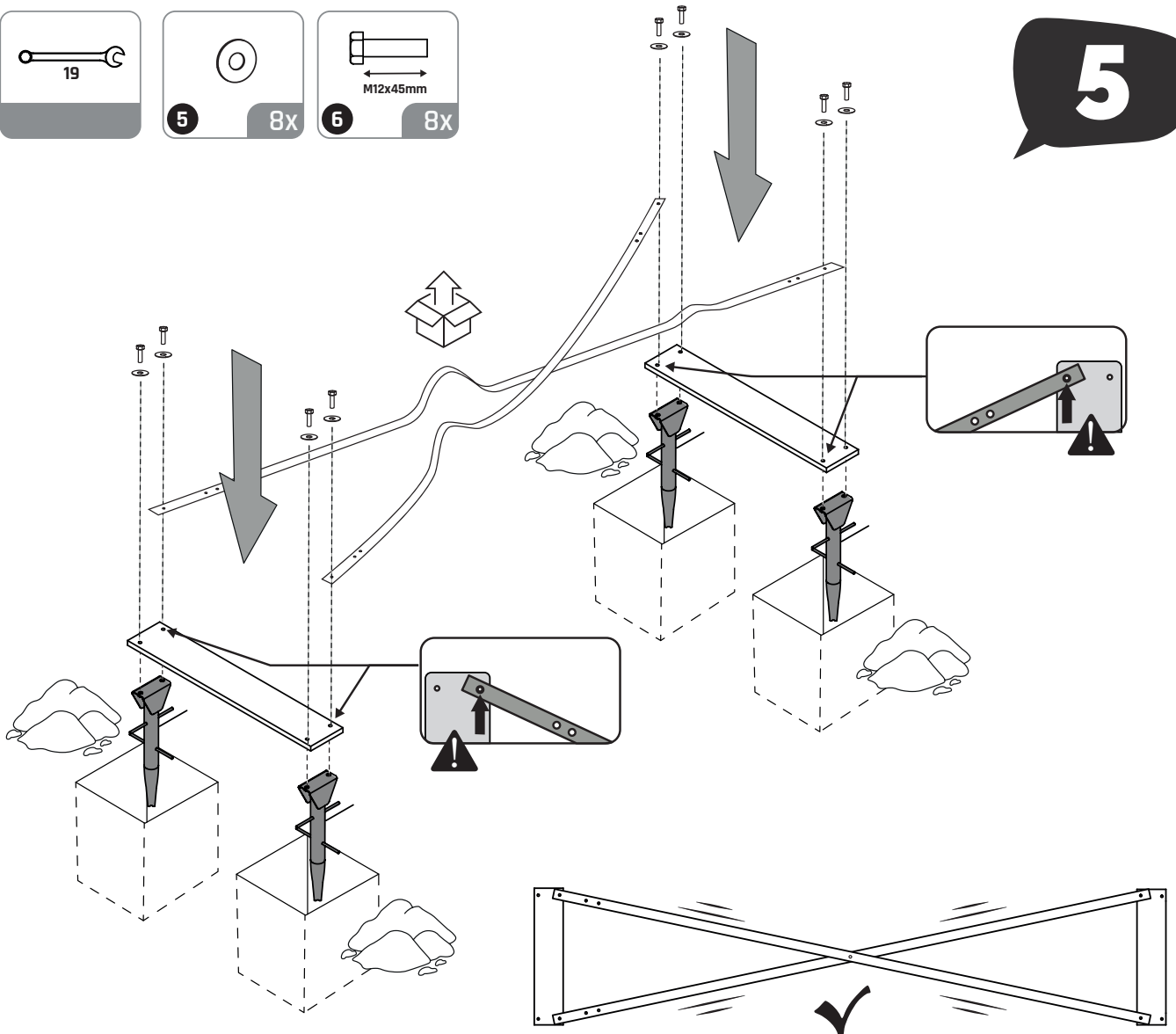




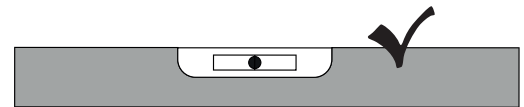
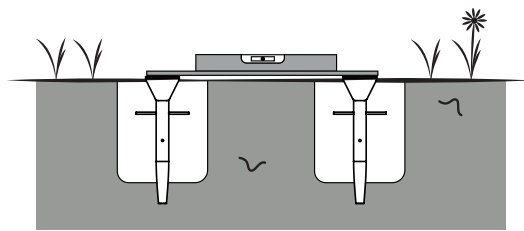
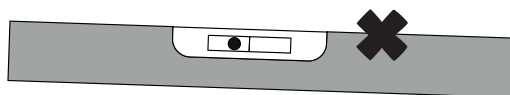
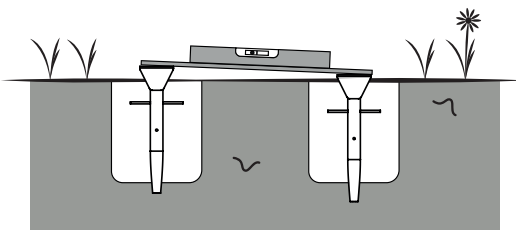
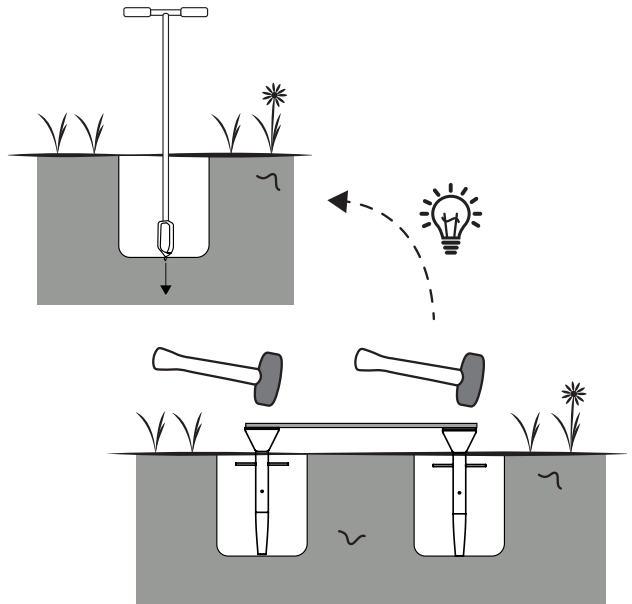
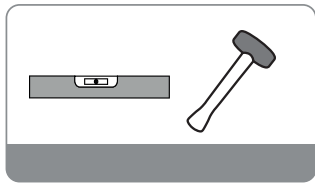
4



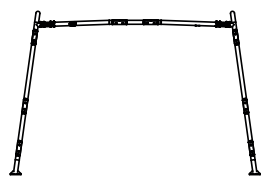
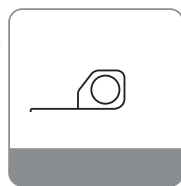
5



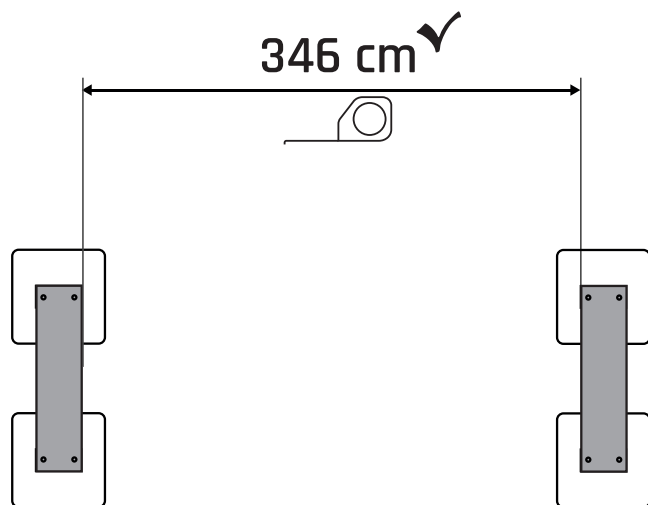
6



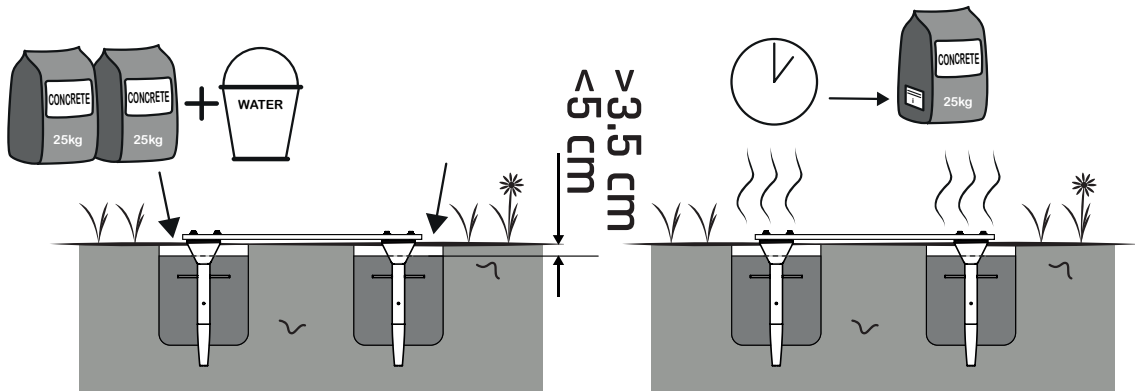
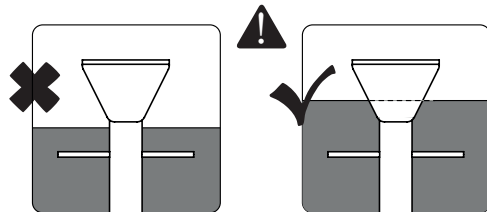
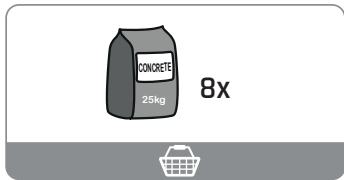
7



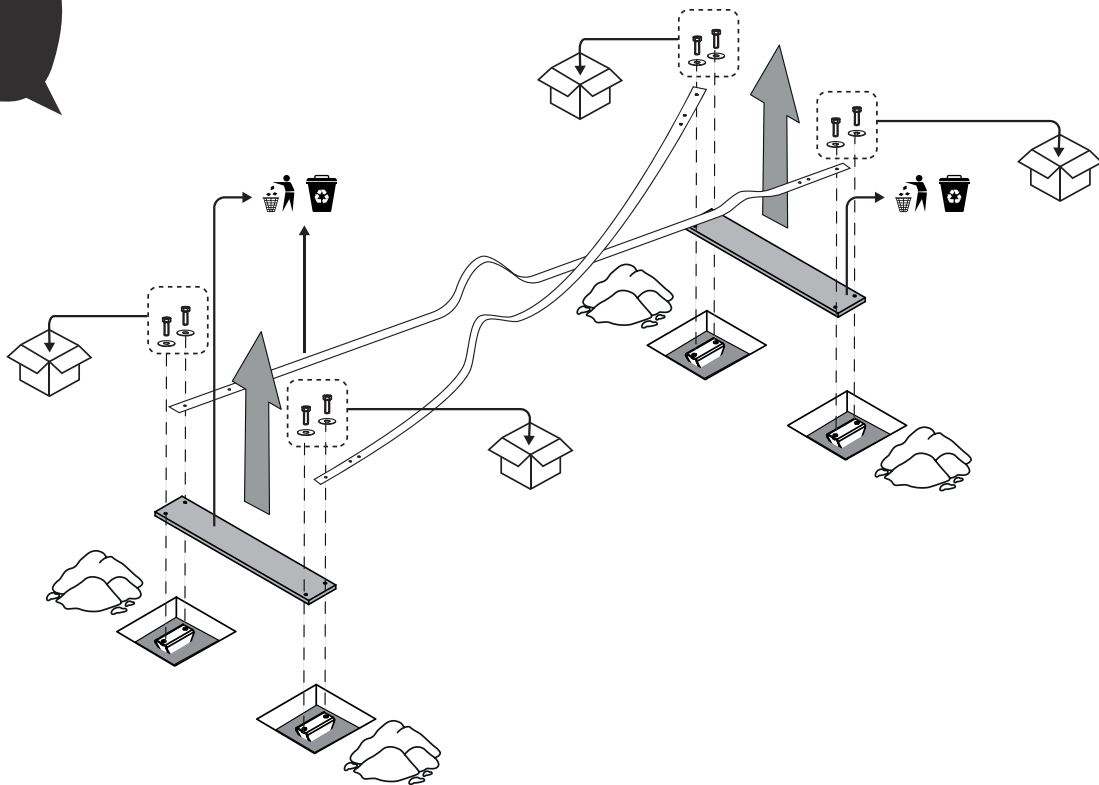
MB 300

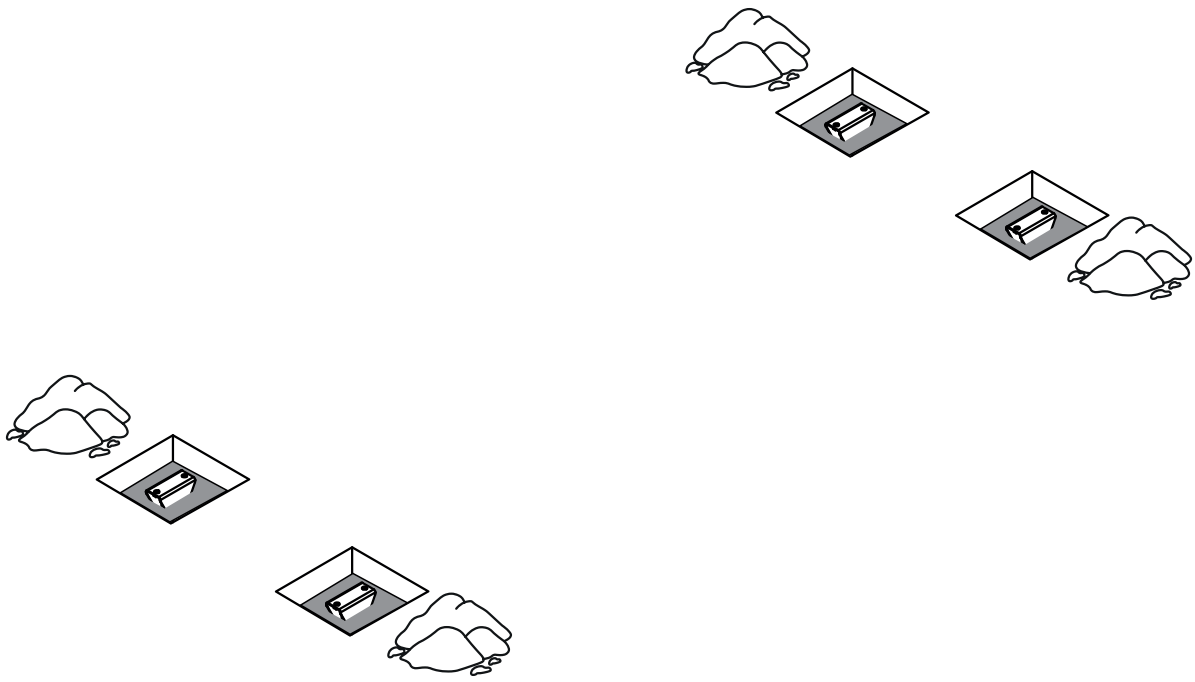


8

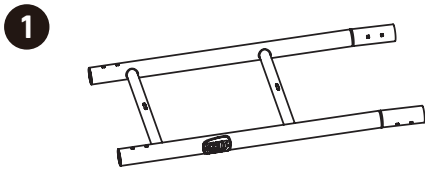
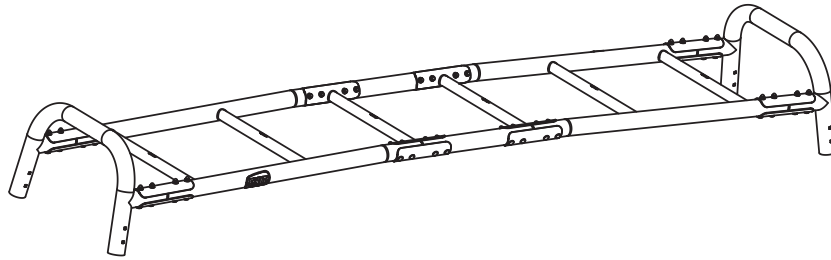


9

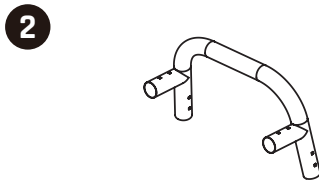








G	61.82.10.20	2X
	61.82.10.25	



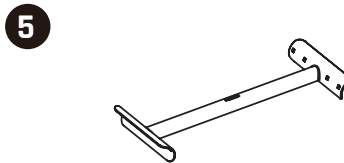
G	61.82.10.10	2X
	61.82.10.15	



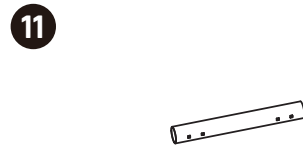
61.80.30.00	8X
-------------	----



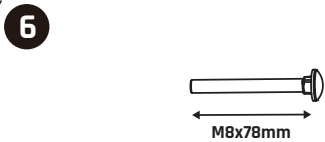
G	61.80.30.10	12X
	61.80.30.15	



G	61.80.10.50	2X *
	61.80.10.55	



G	61.83.20.47	2X *
	61.83.25.47	



M8x78mm	32X
---------	-----



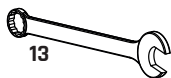
M8	32X
----	-----



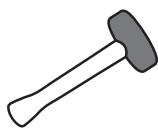
M8	32X
----	-----

G	61.83.40.30	1X
	61.83.40.35	

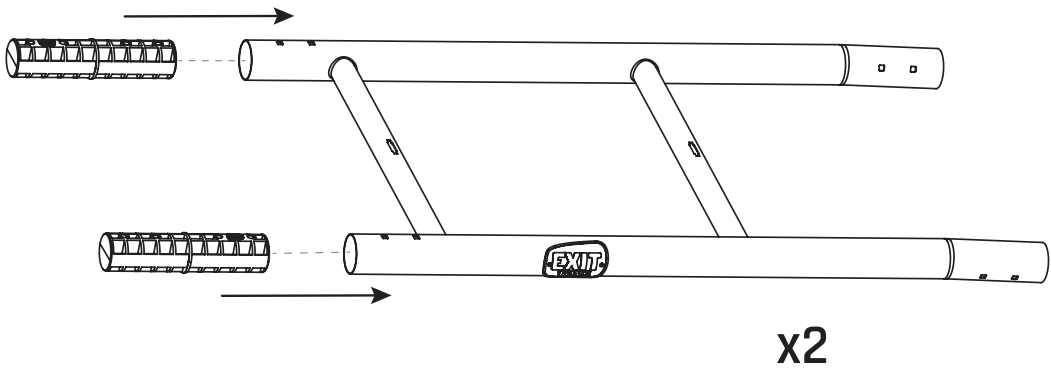
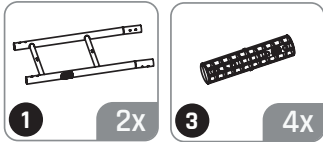
BOX REFERENCE:	XX.XX.X
PRODUCTION ID:	XXX XXX



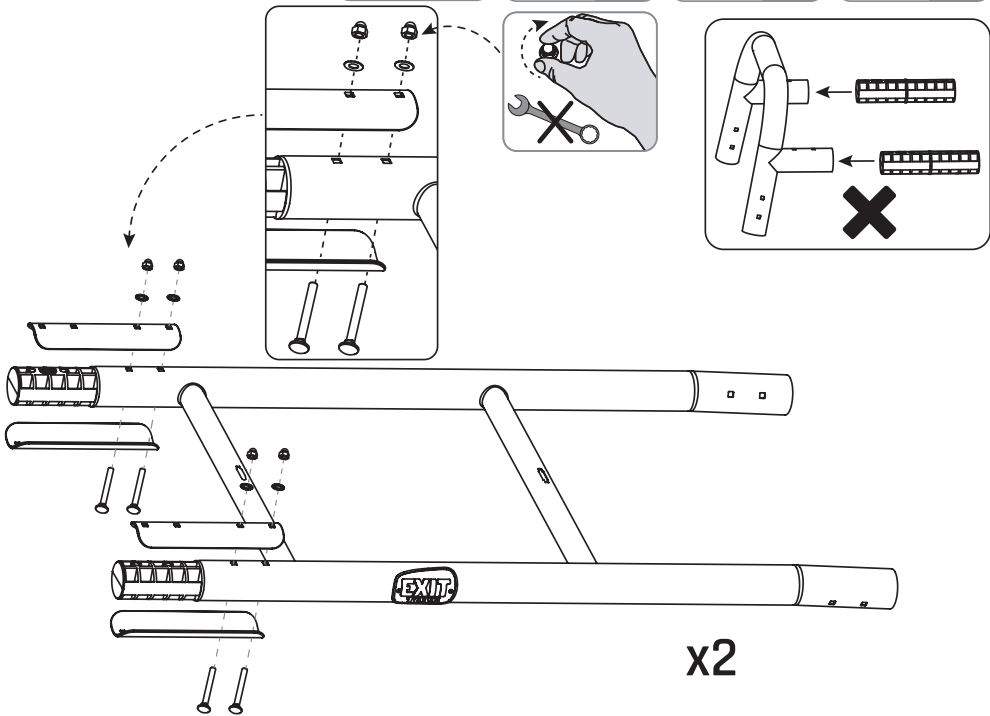
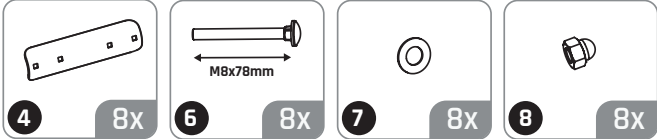
NOT INCLUDED



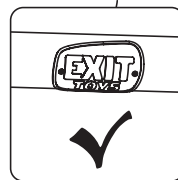
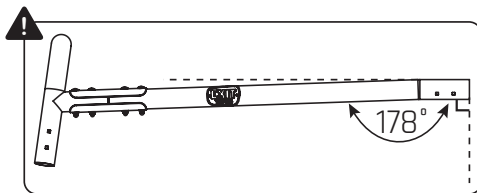
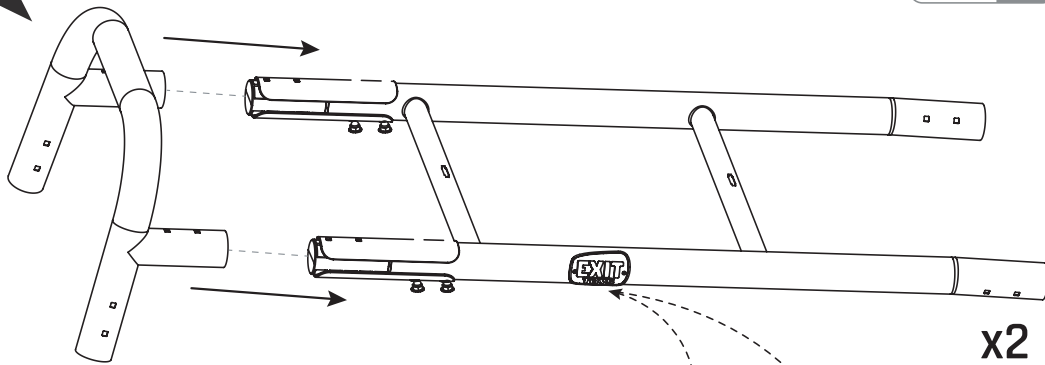
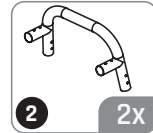
1



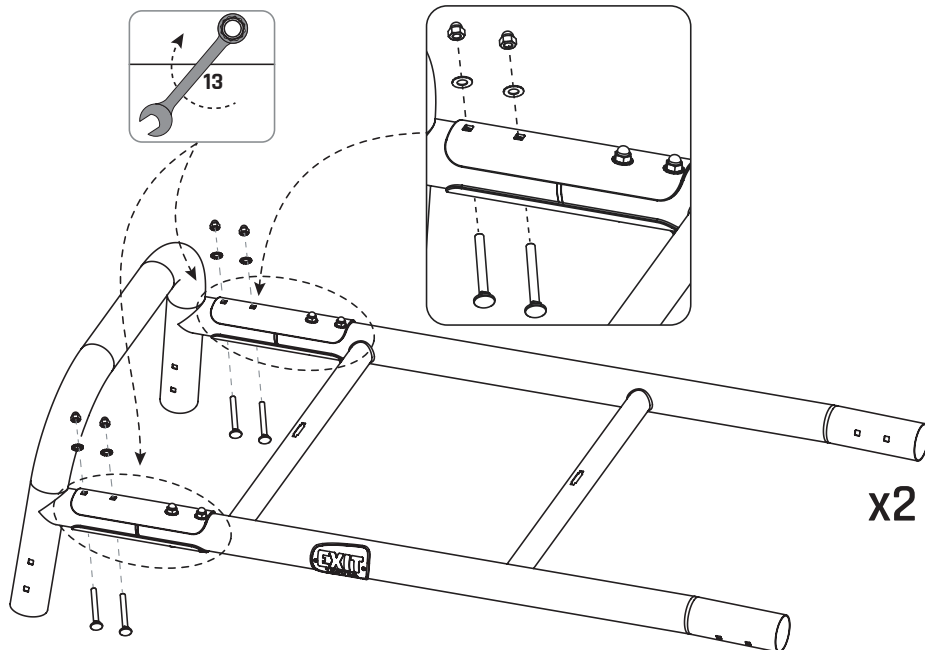
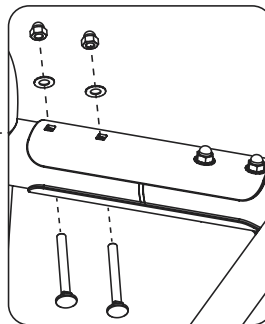
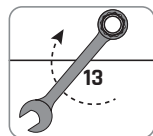
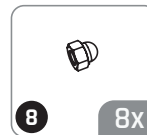
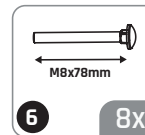
2



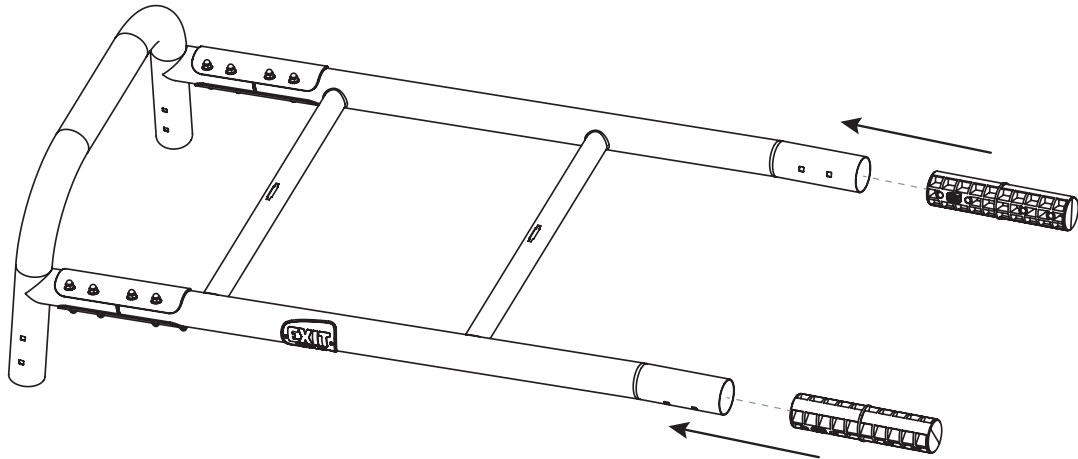
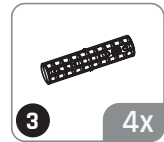
3



4

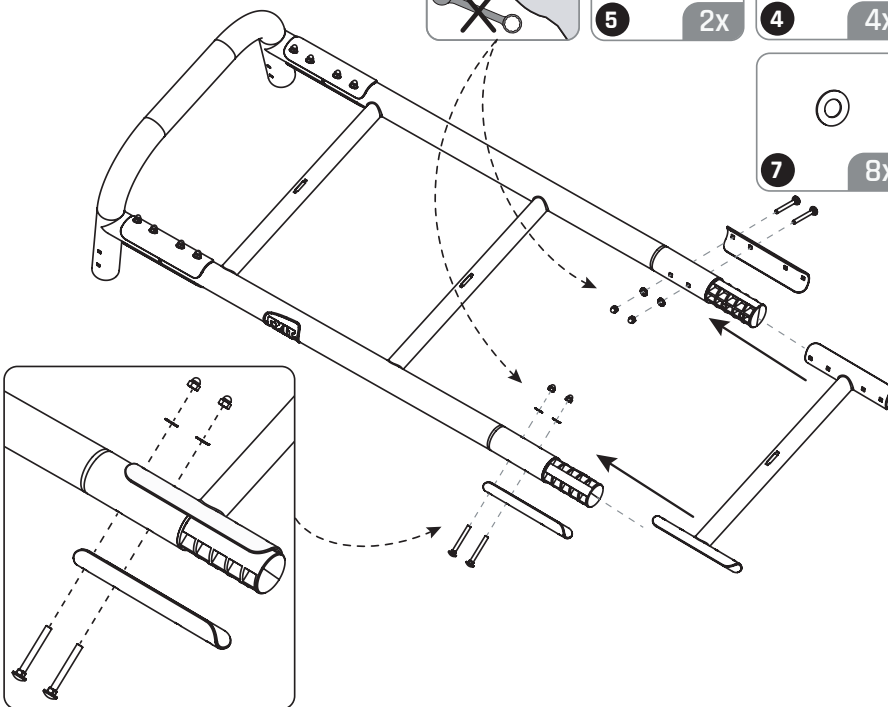
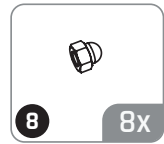
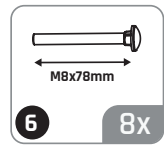
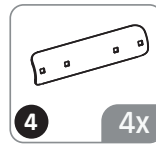
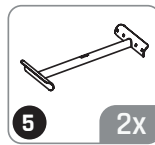


5



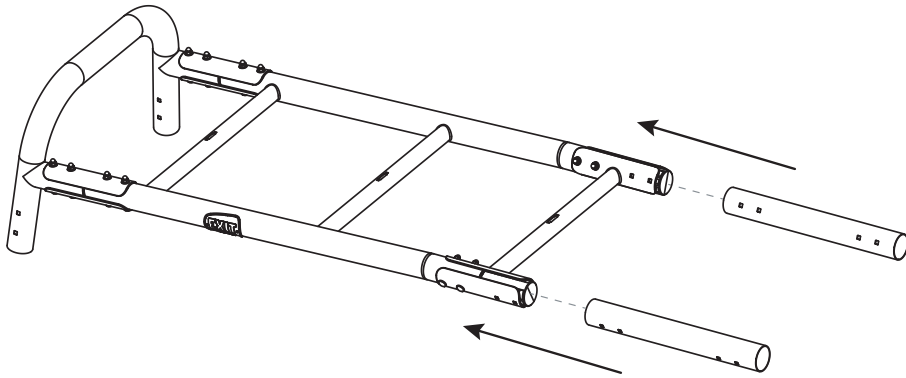
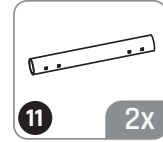
x2

6

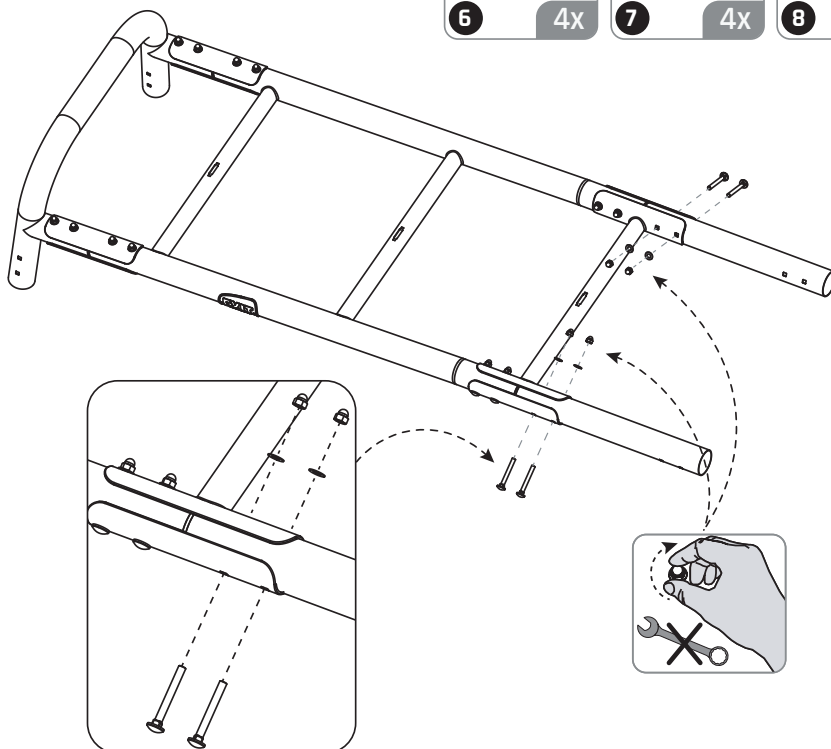


x2

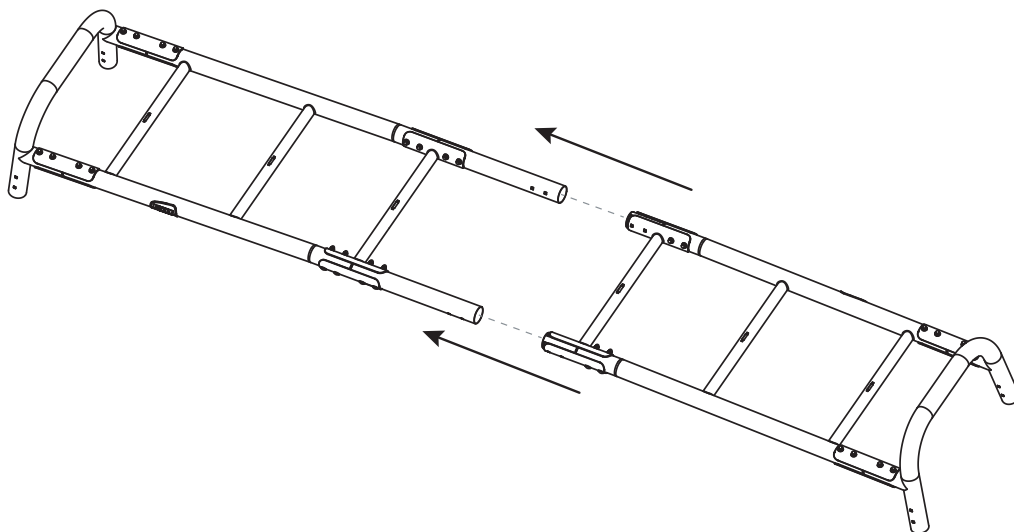
7



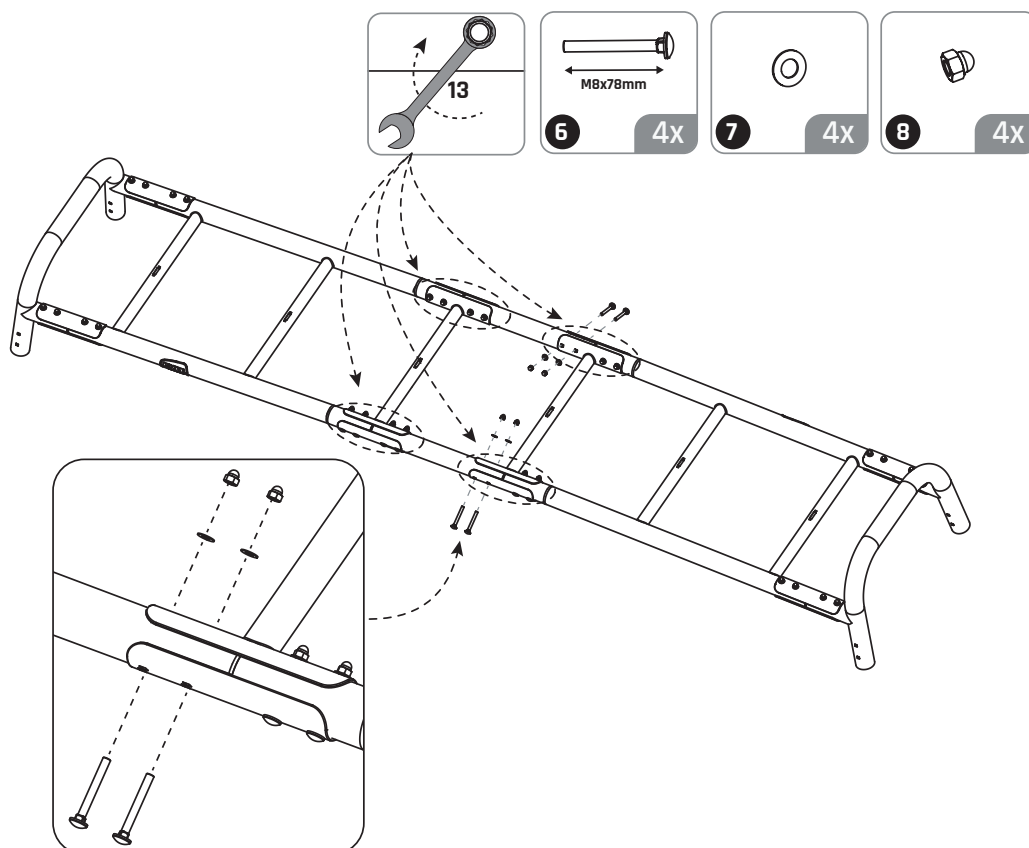
8

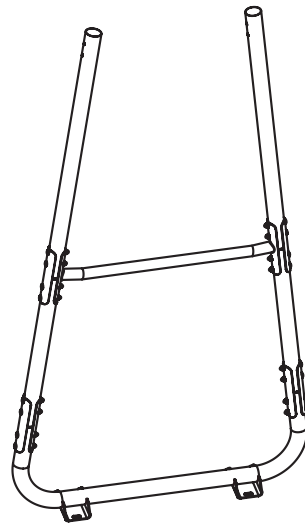


9



10





1



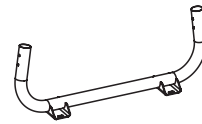
61.80.30.00	4X
-------------	----

2



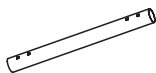
G	61.80.30.10	6X
B	61.80.30.15	

3



G	61.82.10.30	1X *
B	61.82.10.35	

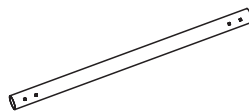
4



645mm

G	61.82.20.65	2X
B	61.82.25.65	

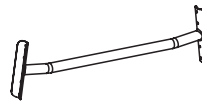
5



1060mm

G	61.82.21.06	2X
B	61.82.25.06	

9



G	54.90.17.00	1X
B	54.90.17.05	

6



M8x78mm

M8x78mm	16X
---------	-----

7



M8	16X
----	-----

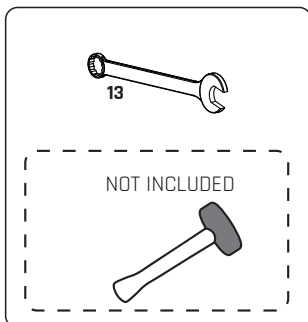
8



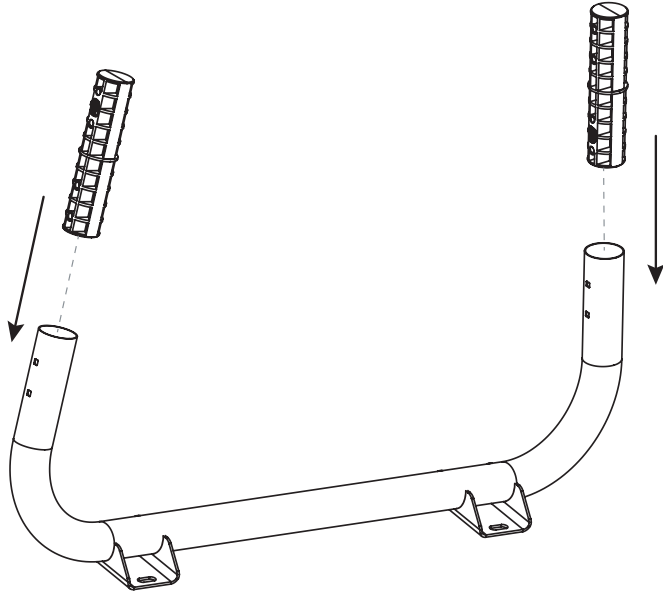
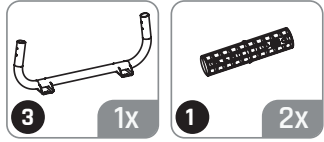
M8	16X
----	-----

G	61.82.40.40	1X
B	61.82.40.45	

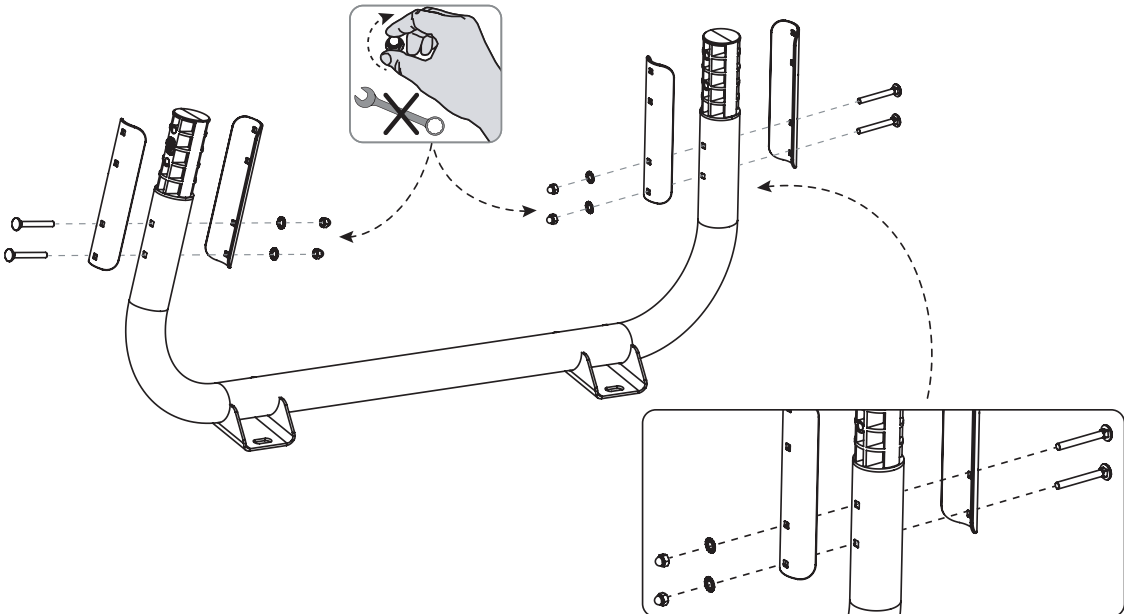
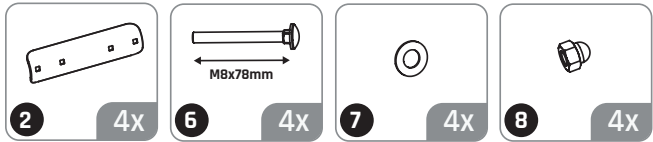
*
 BOX REFERENCE: xx.xx
 PRODUCTION ID: xxx **XXX**



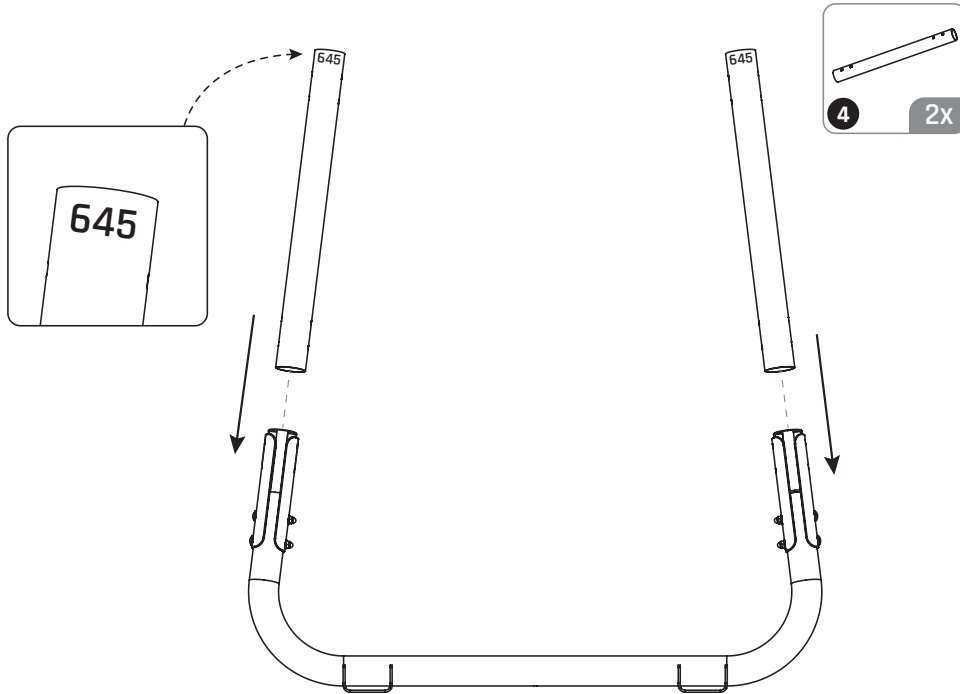
1



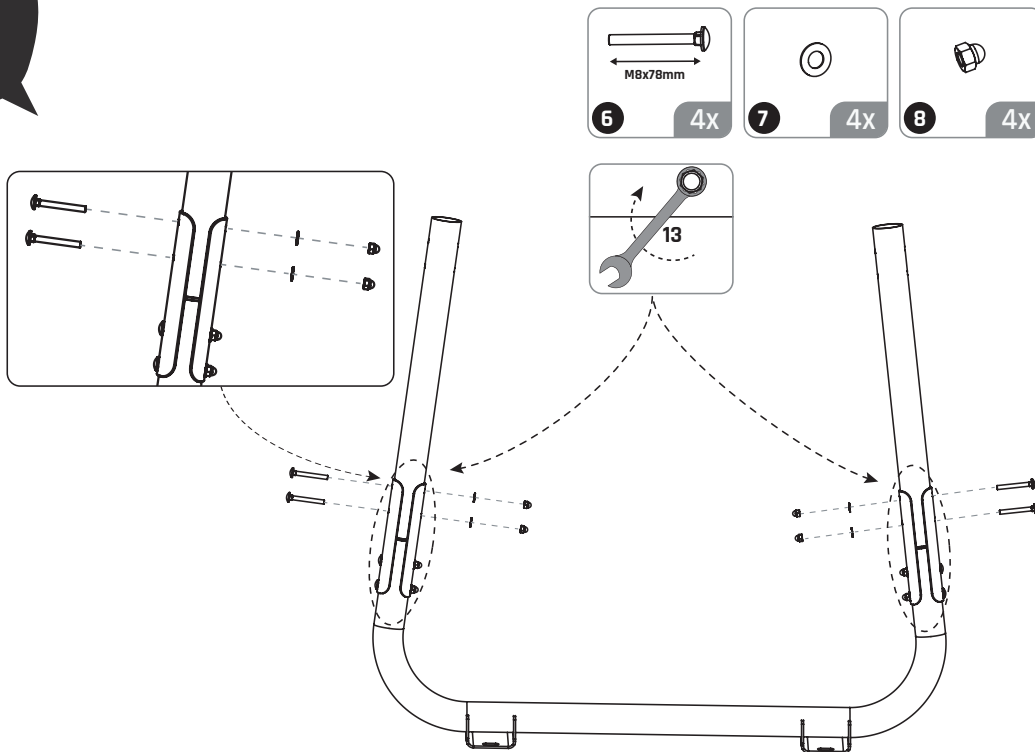
2



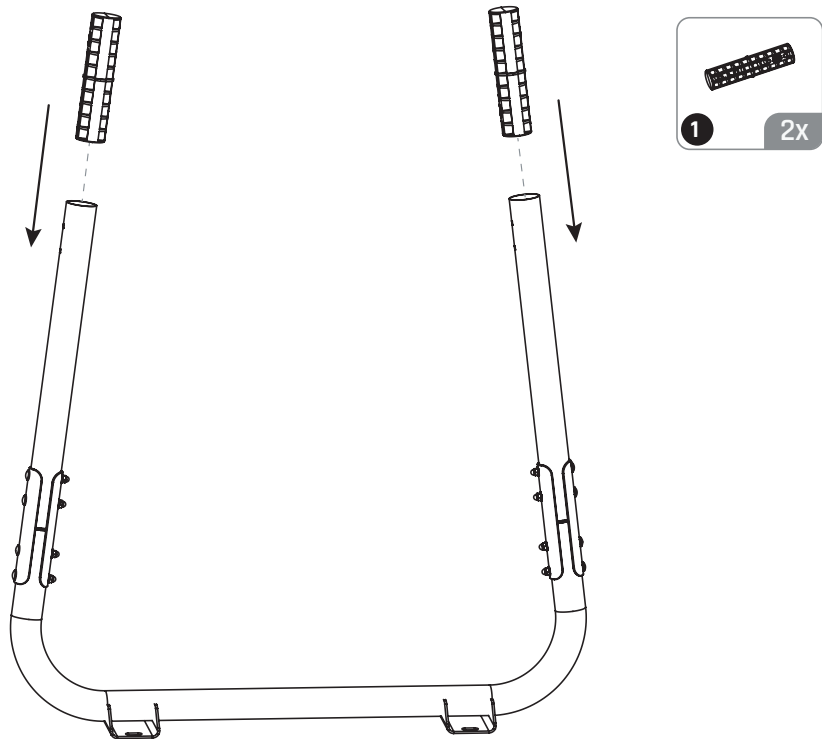
3



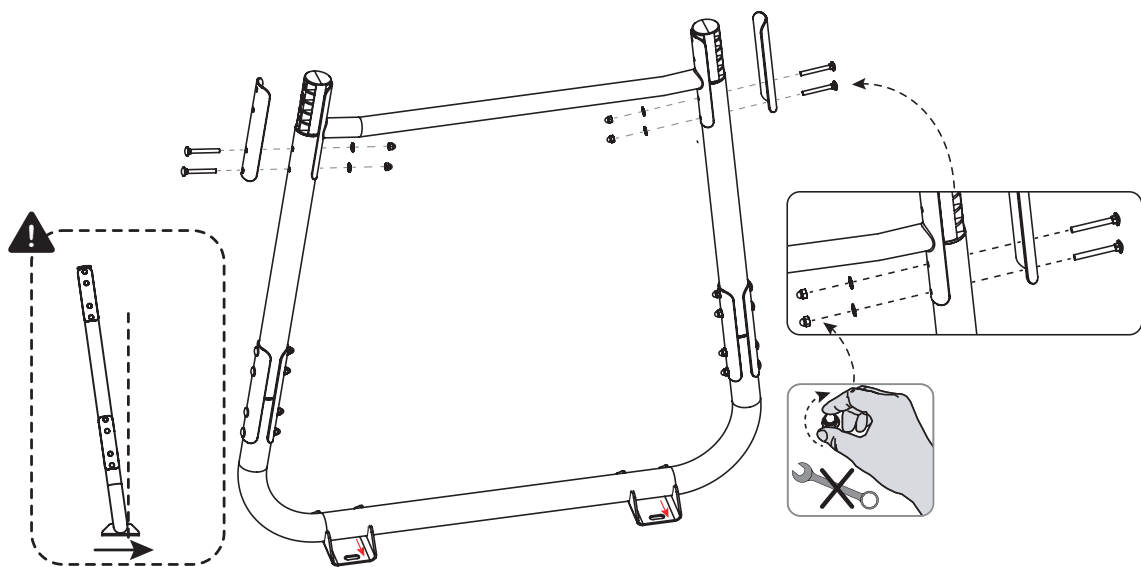
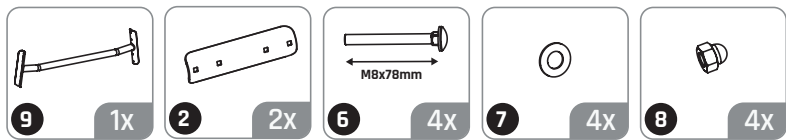
4



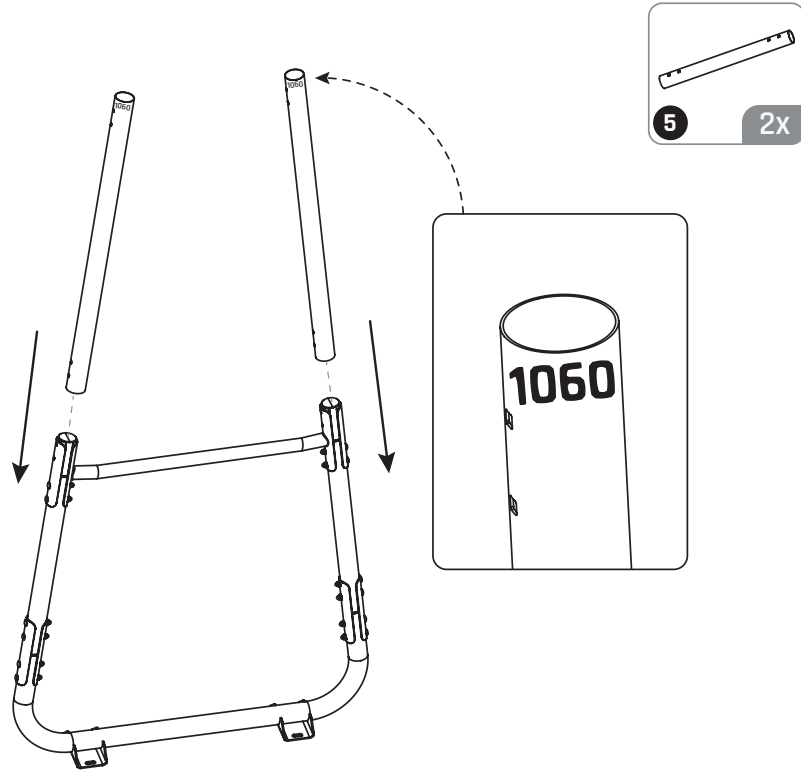
5



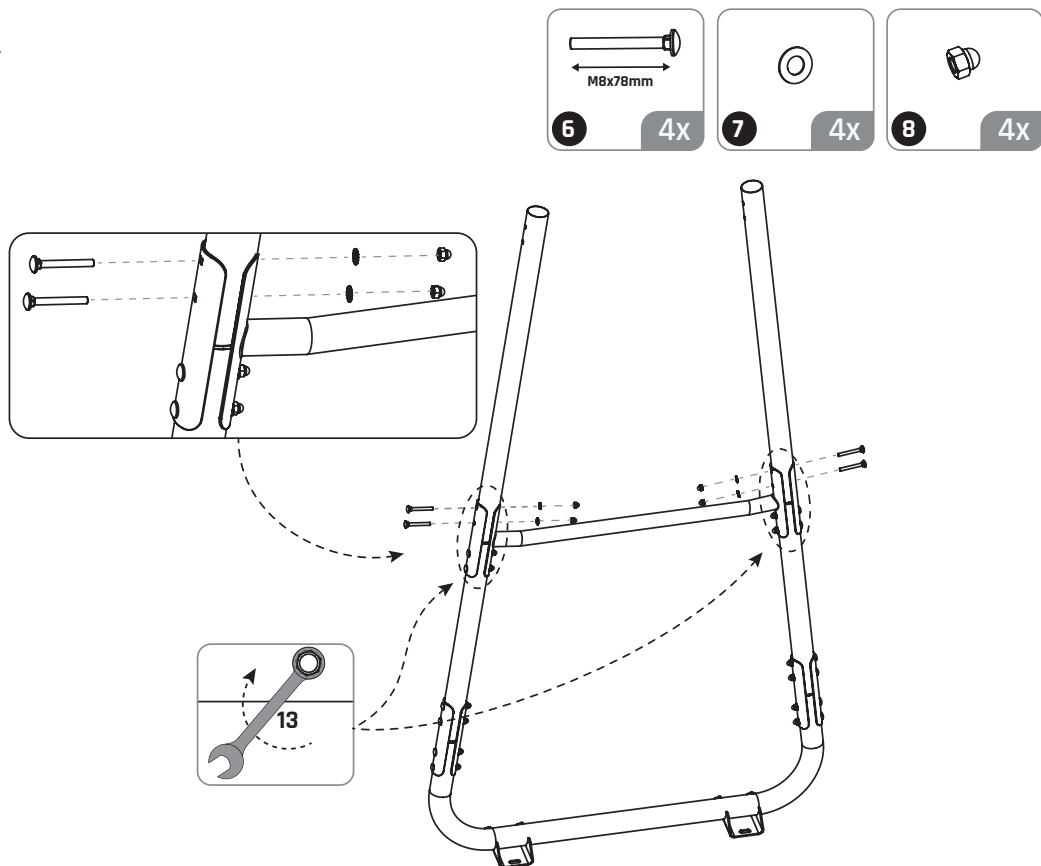
6



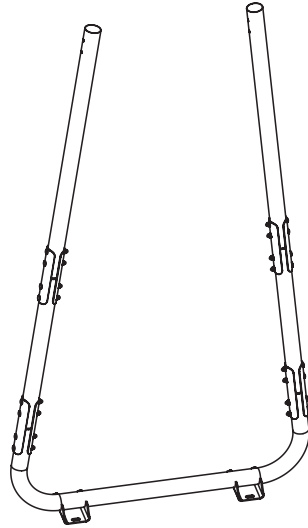
7



8







1



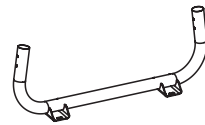
61.80.30.00	4X
-------------	----

2



G 61.80.30.10	8X
B 61.80.30.15	

3



G 61.82.10.30	1X *
B 61.82.10.35	

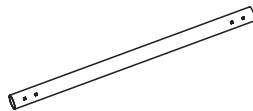
4



645mm

G 61.82.20.65	2X
B 61.82.25.65	

5



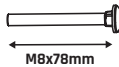
1060mm

G 61.82.21.06	2X
B 61.82.25.06	

* BOX REFERENCE: XX.XX.XX
 PRODUCTION ID: XXX XXX



6



MBx78mm

MBx78mm	16X
---------	-----

7



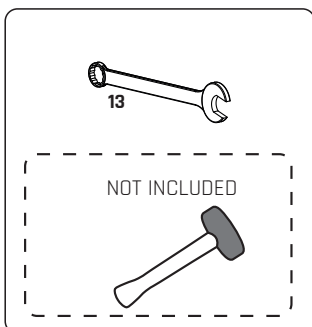
M8	16X
----	-----

8

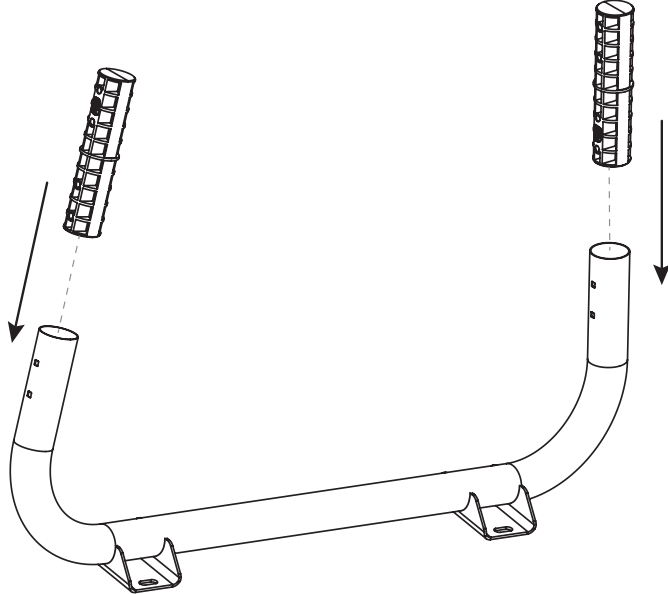
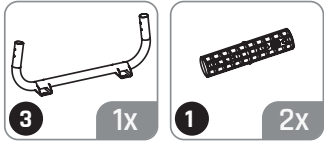


M8	16X
----	-----

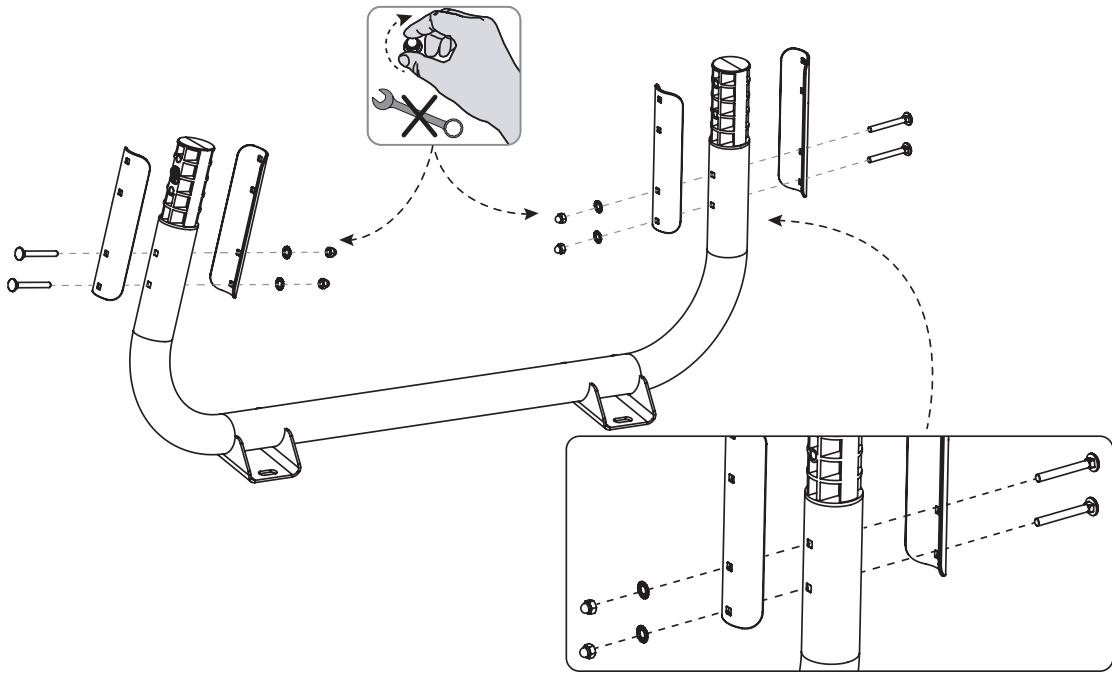
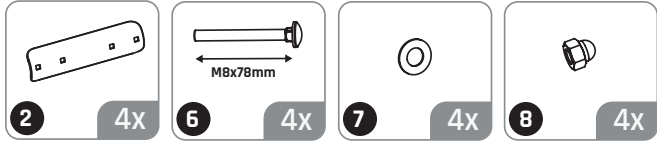
G 61.82.40.40	1X
B 61.82.40.45	



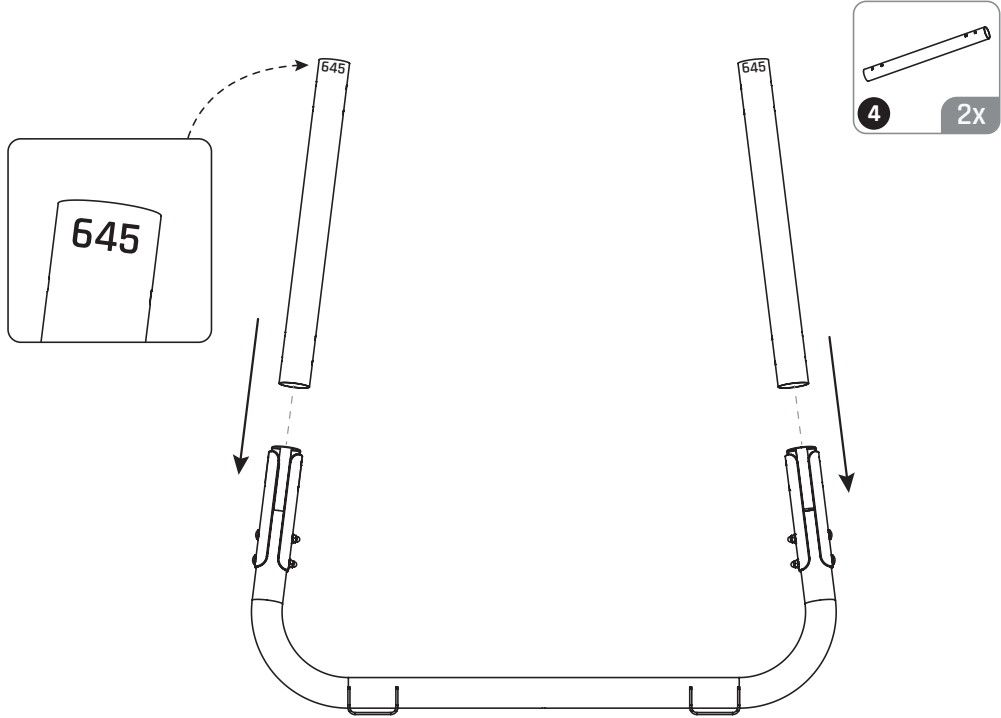
1



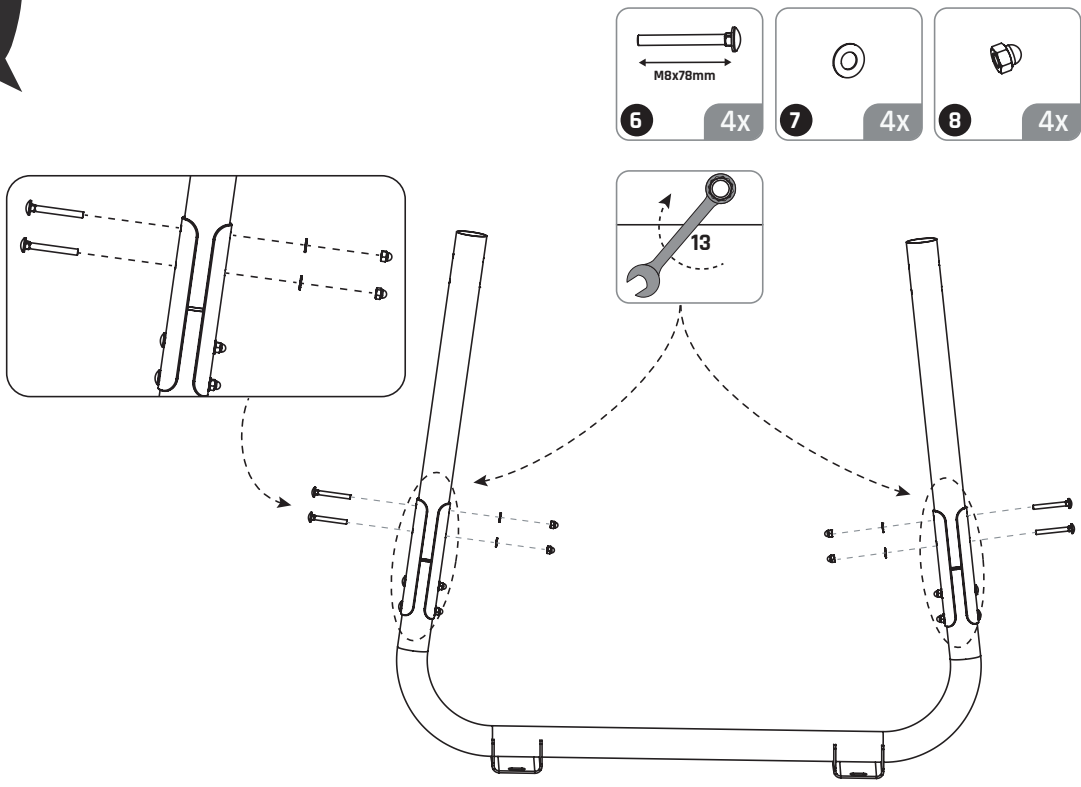
2



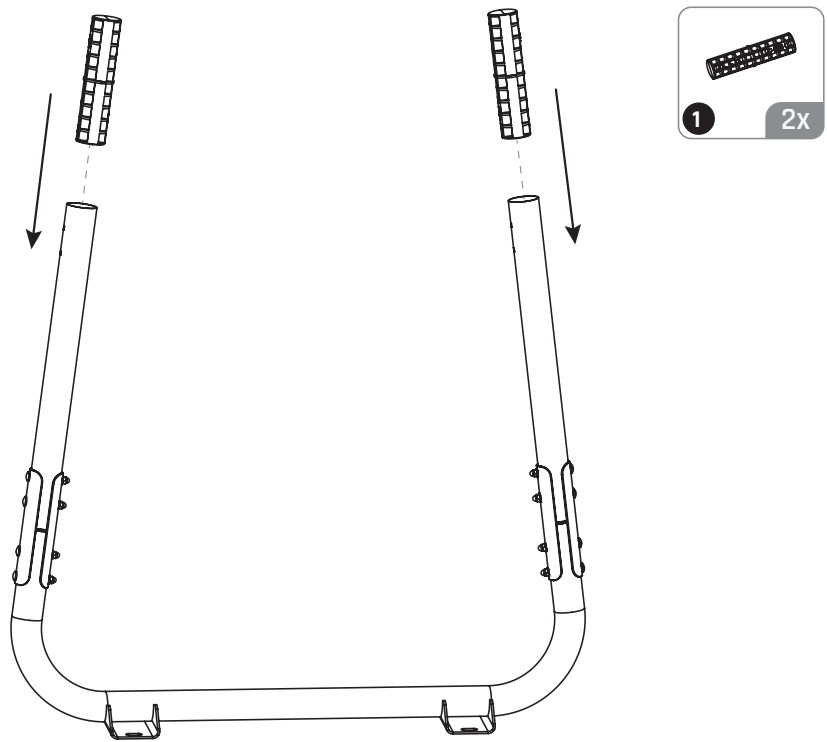
3



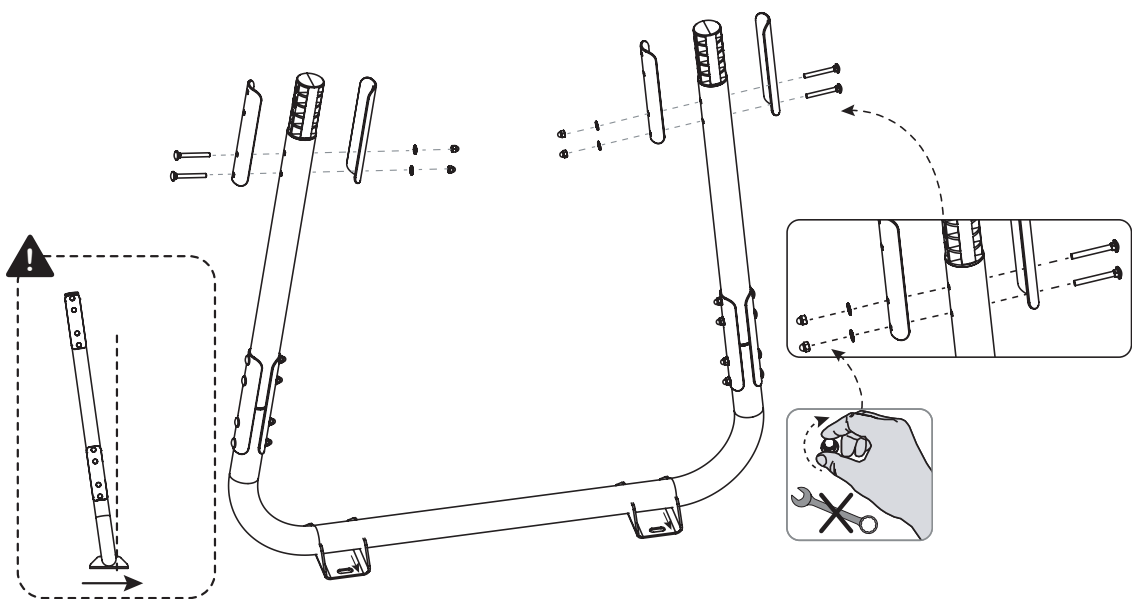
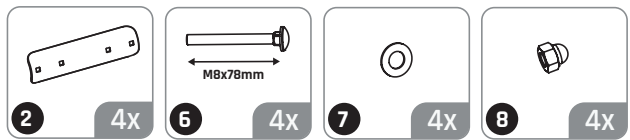
4



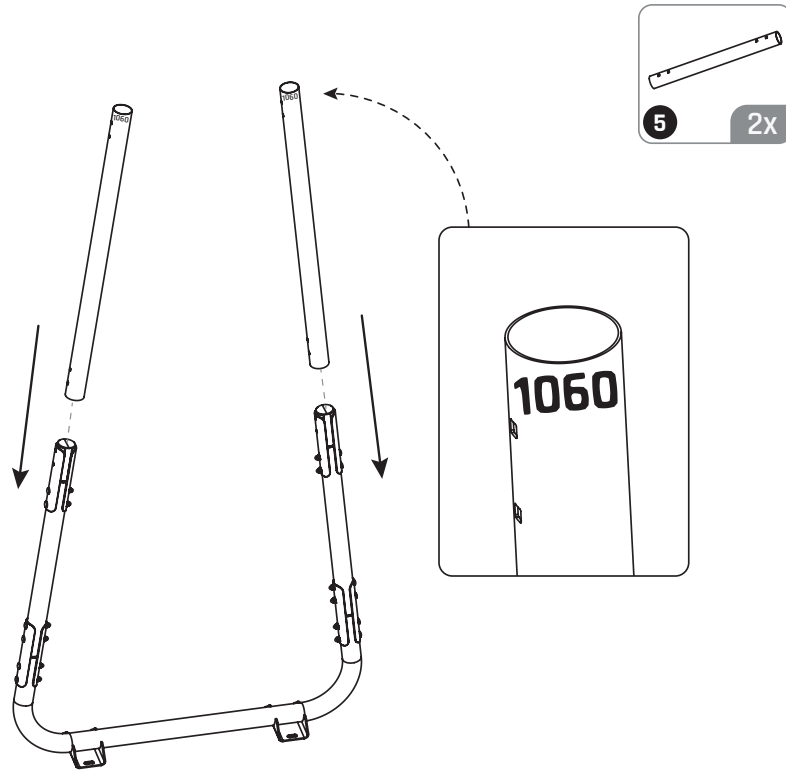
5



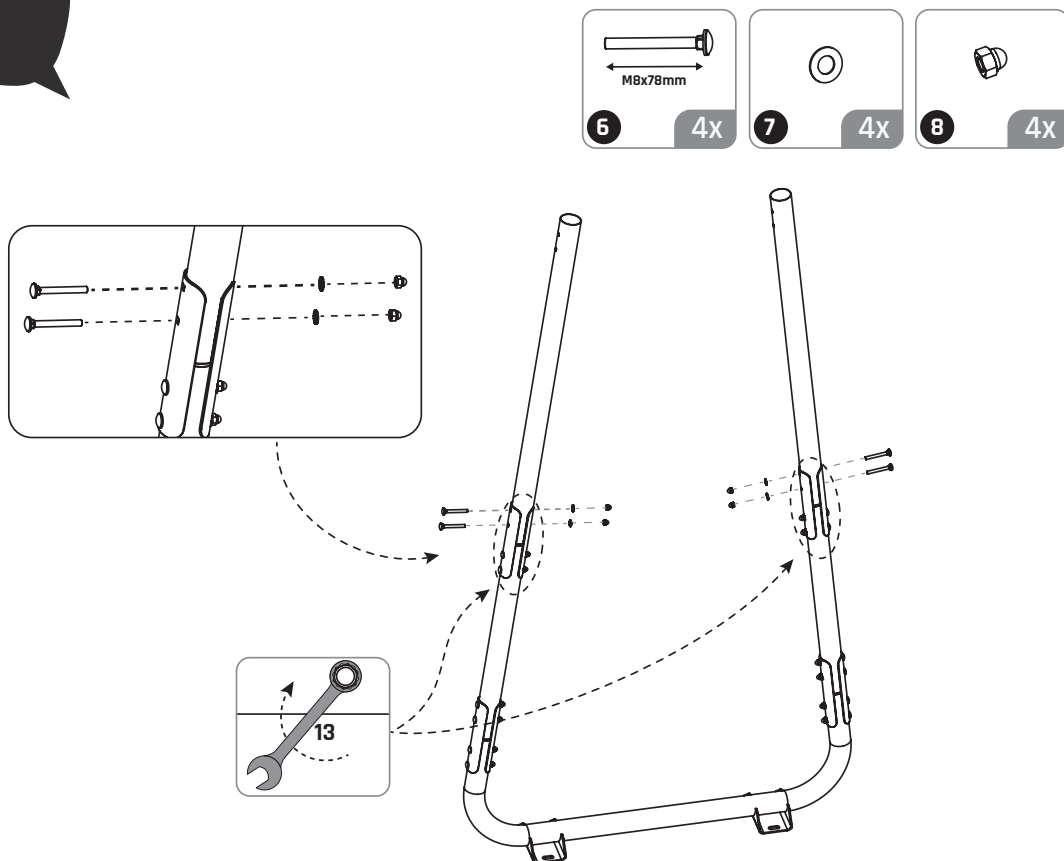
6



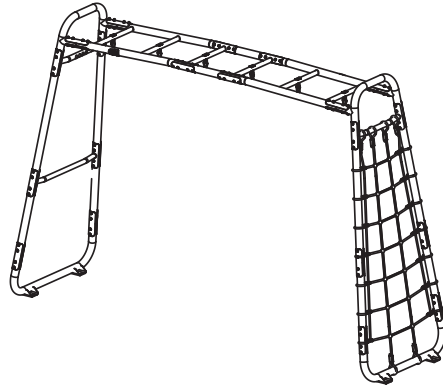
7



8







1



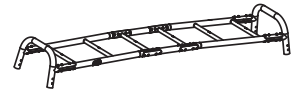
1X

2



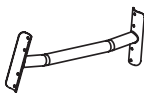
1X

3



1X

4



G	61.82.10.40	2X
B	61.82.10.45	

5



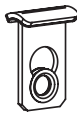
G	61.80.30.10	4X *
B	61.80.30.15	

6



61.80.30.00	4X
-------------	----

7



61.80.30.40	6X
-------------	----

8



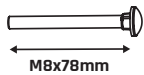
61.80.30.50	6X
-------------	----

9



54.90.45.00	1X
-------------	----

10



M8x78mm	16X
---------	-----

11



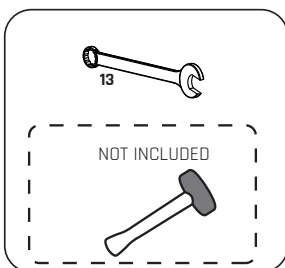
M8	16X
----	-----

12



M8	16X
----	-----

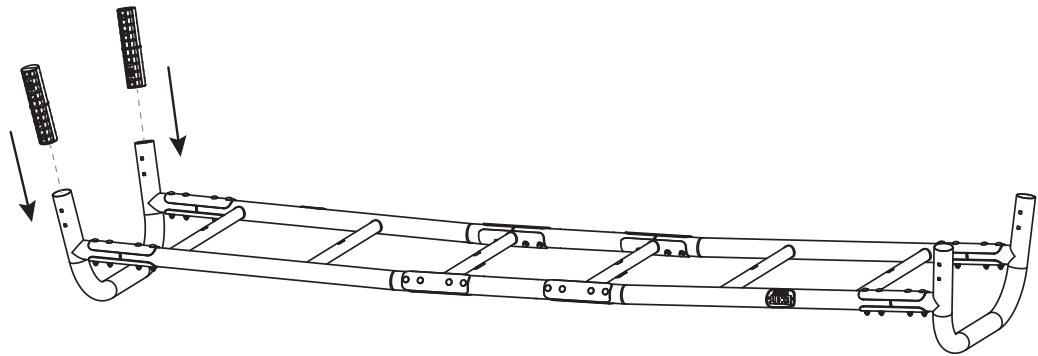
G	61.82.40.40	1X
B	61.82.40.45	



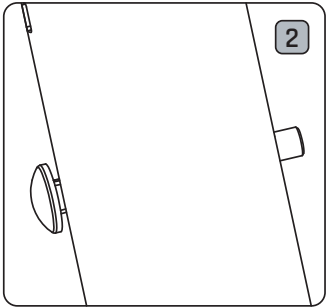
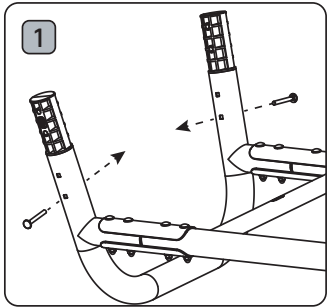
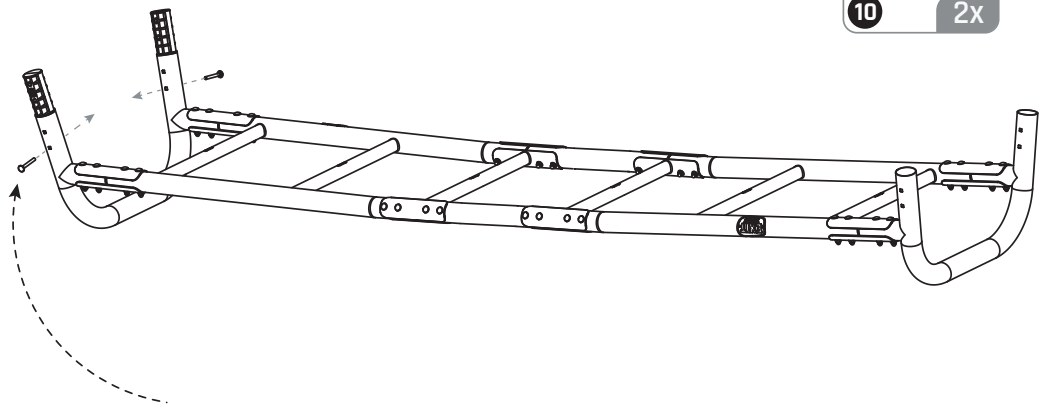
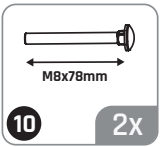
BOX REFERENCE:	XX.XX.X
PRODUCTION ID:	XXX XXX



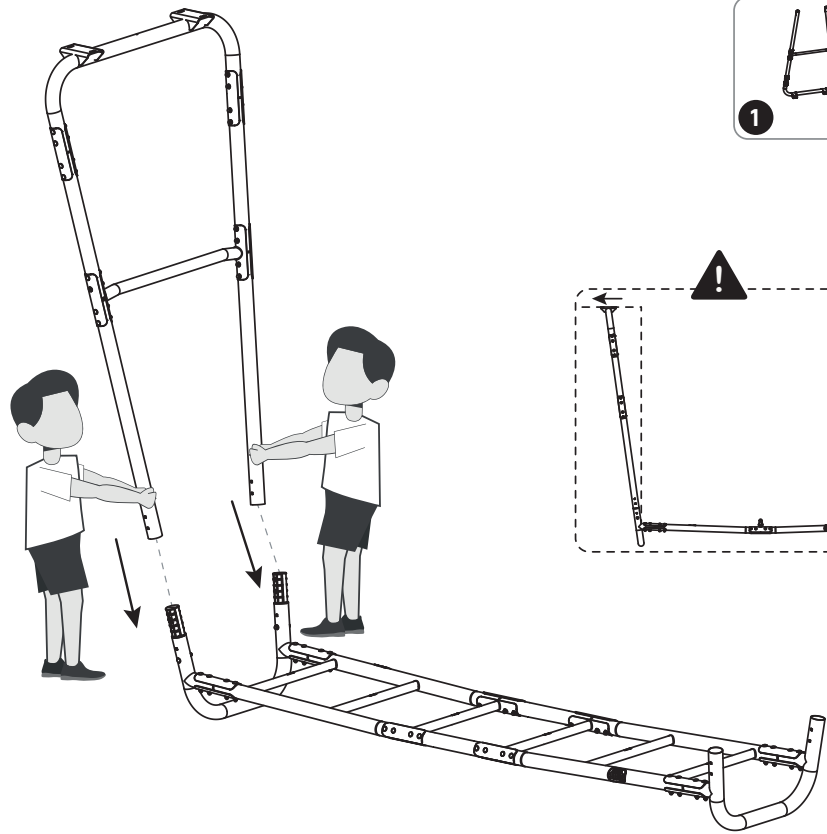
1



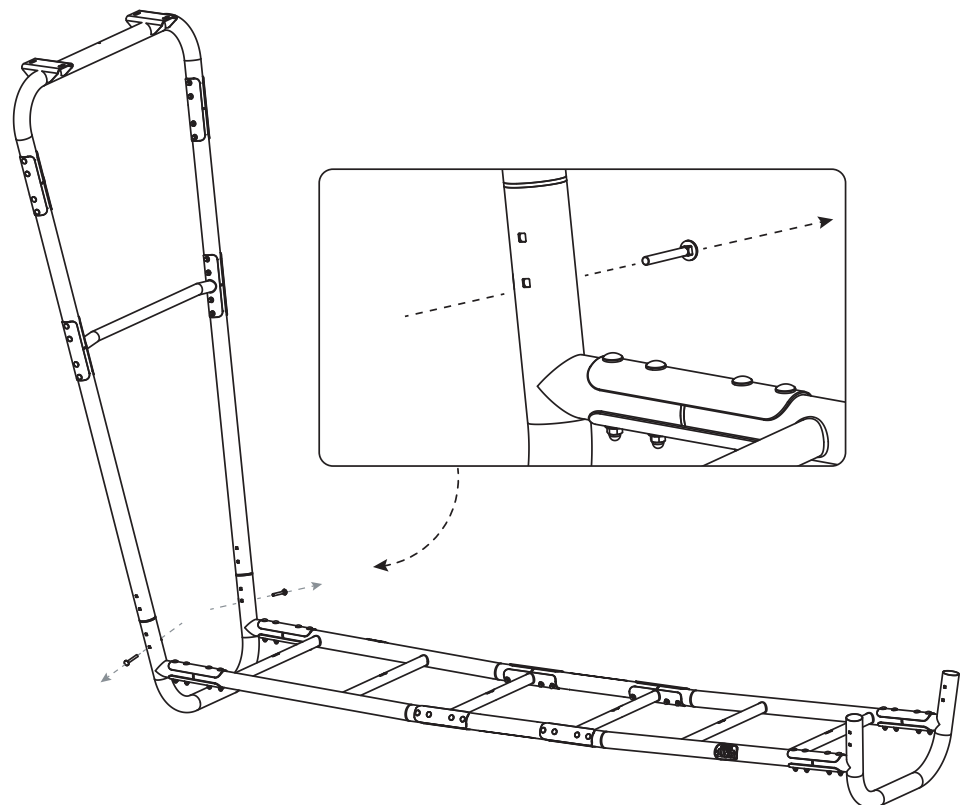
2



3

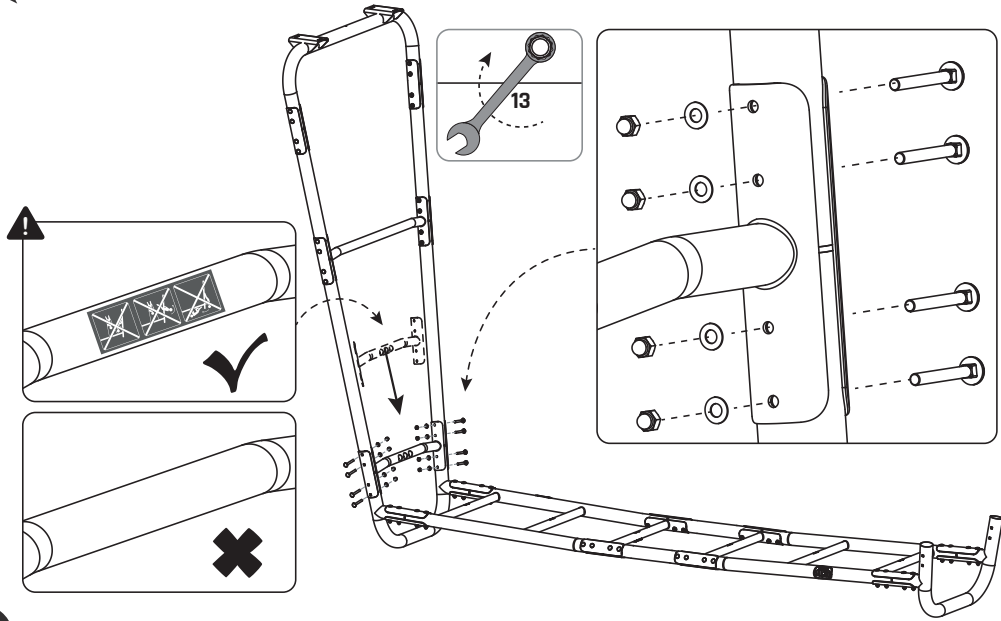


4



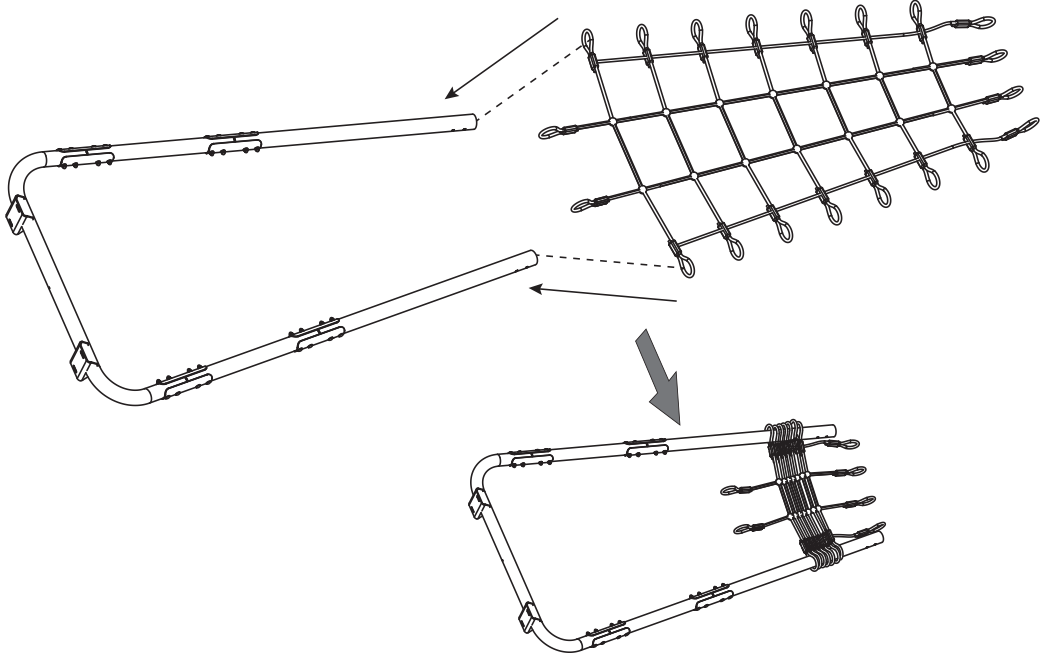
5

- 5
2x
- 4
1x
- 10
8x
- 11
8x
- 12
8x

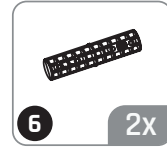
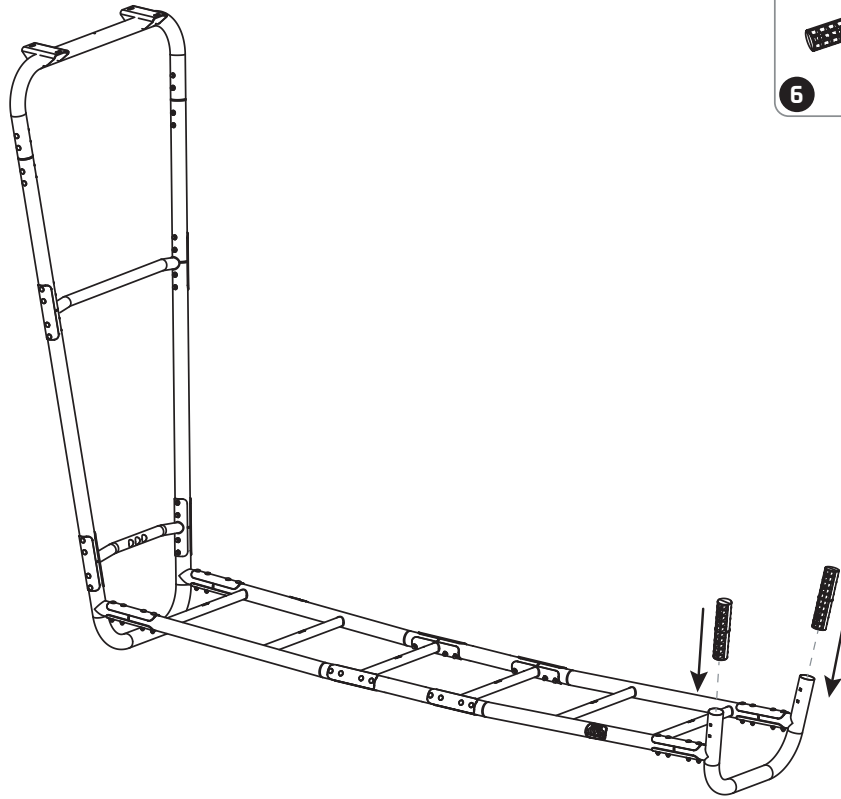


6

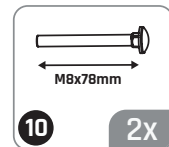
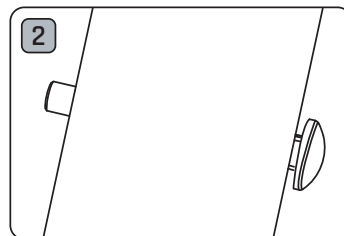
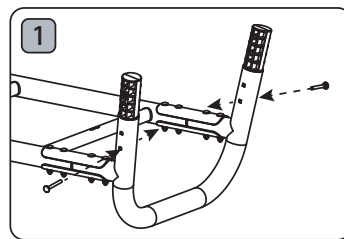
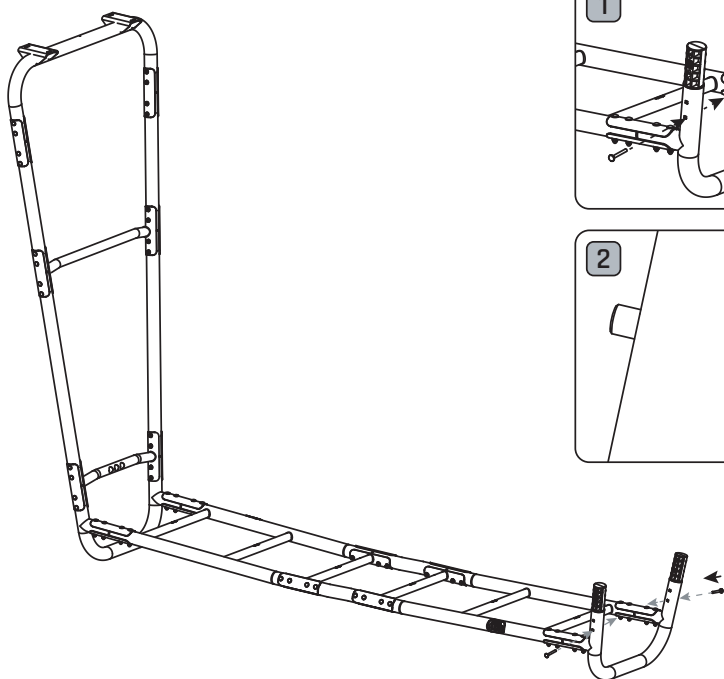
- 2
1x
- 9
1x



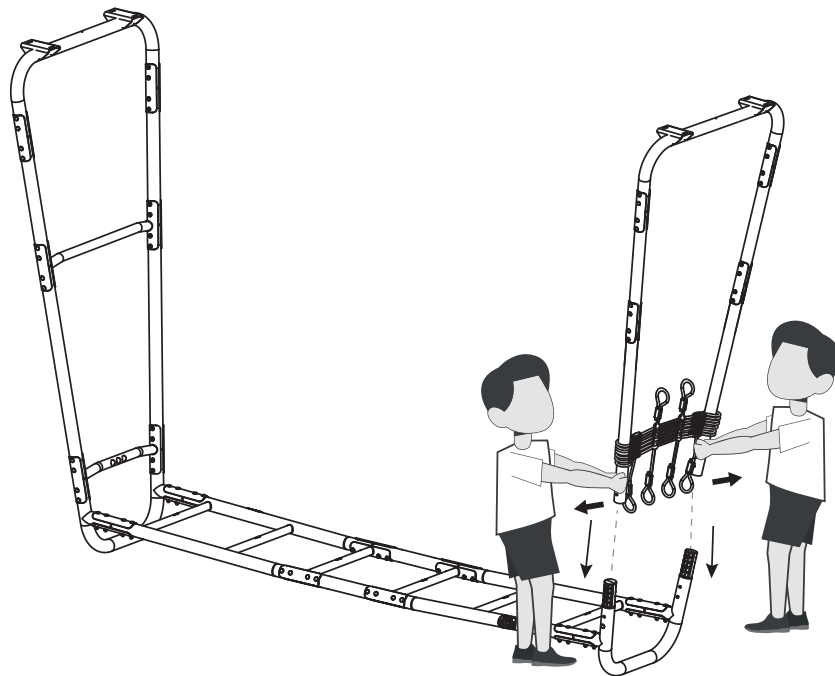
7



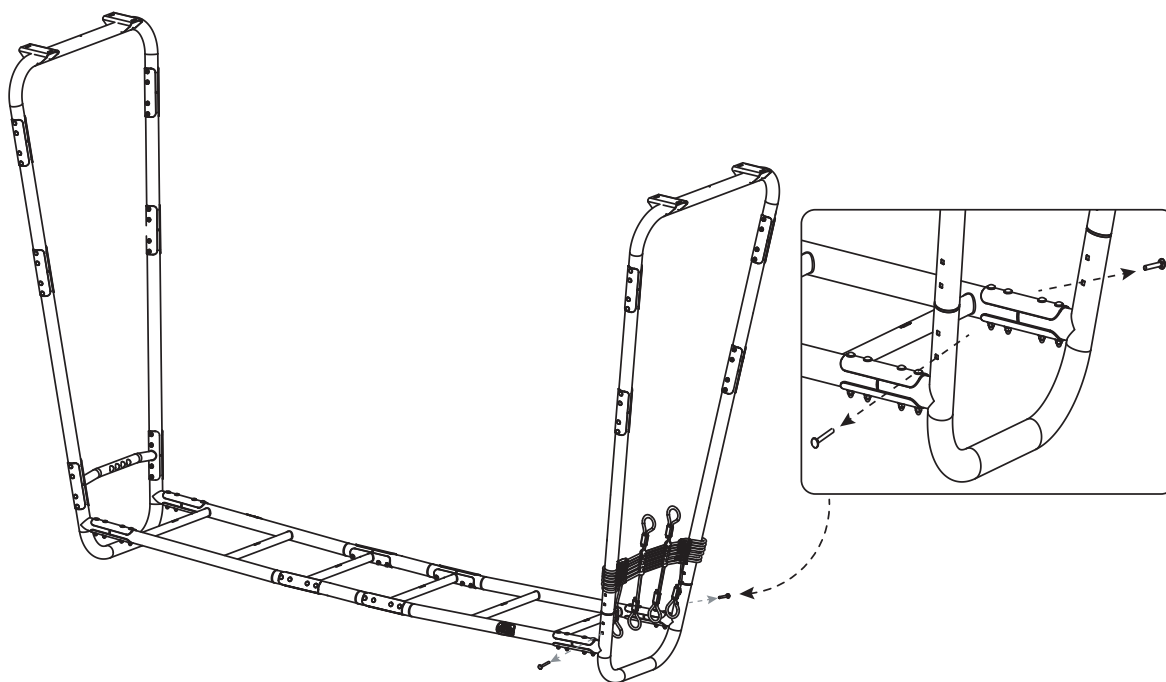
8



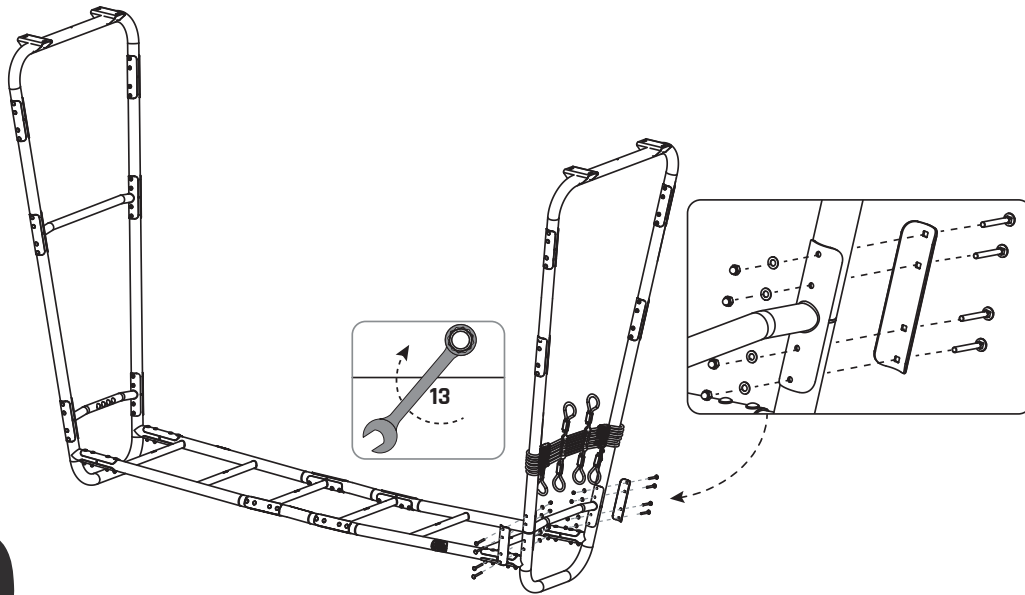
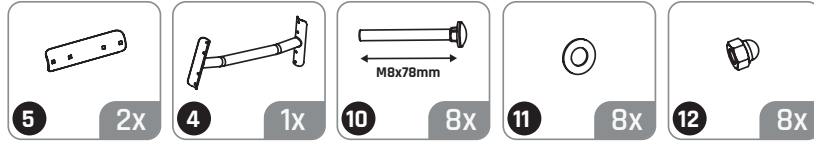
9



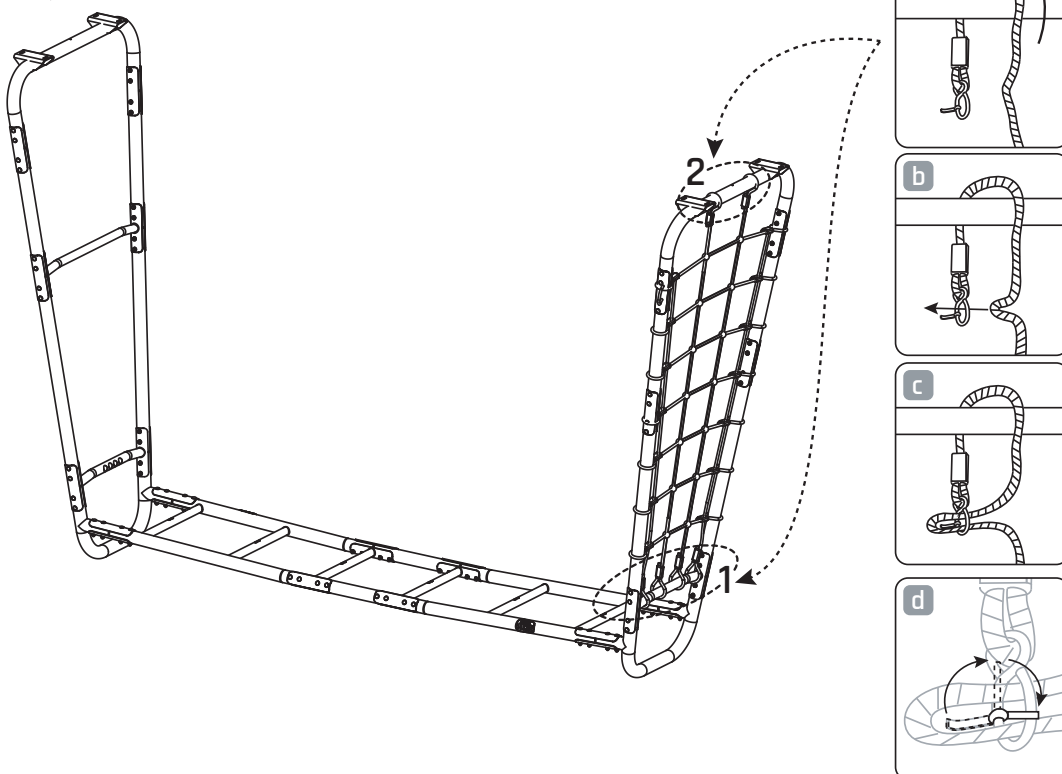
10



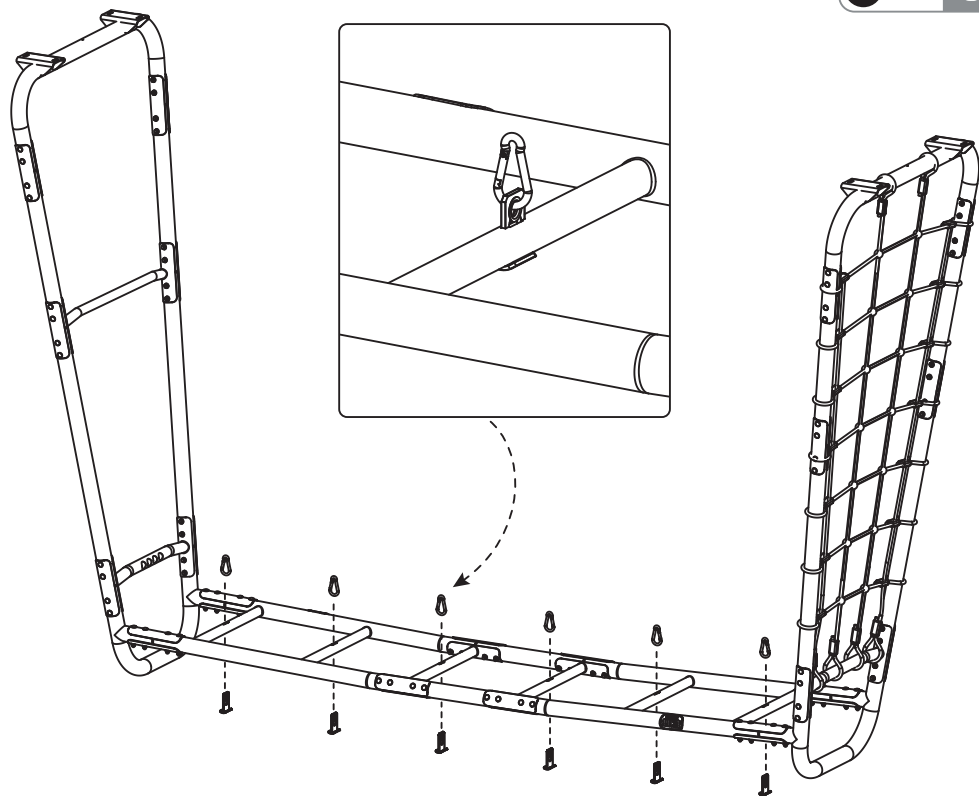
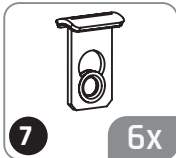
11



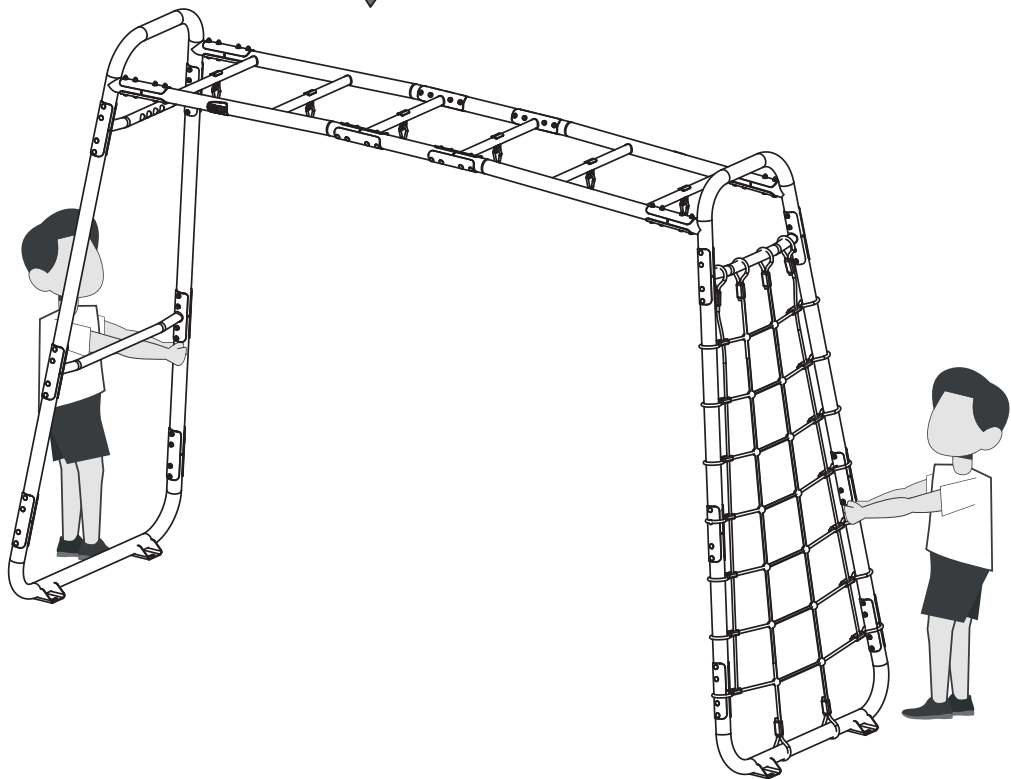
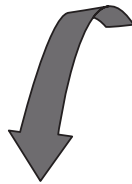
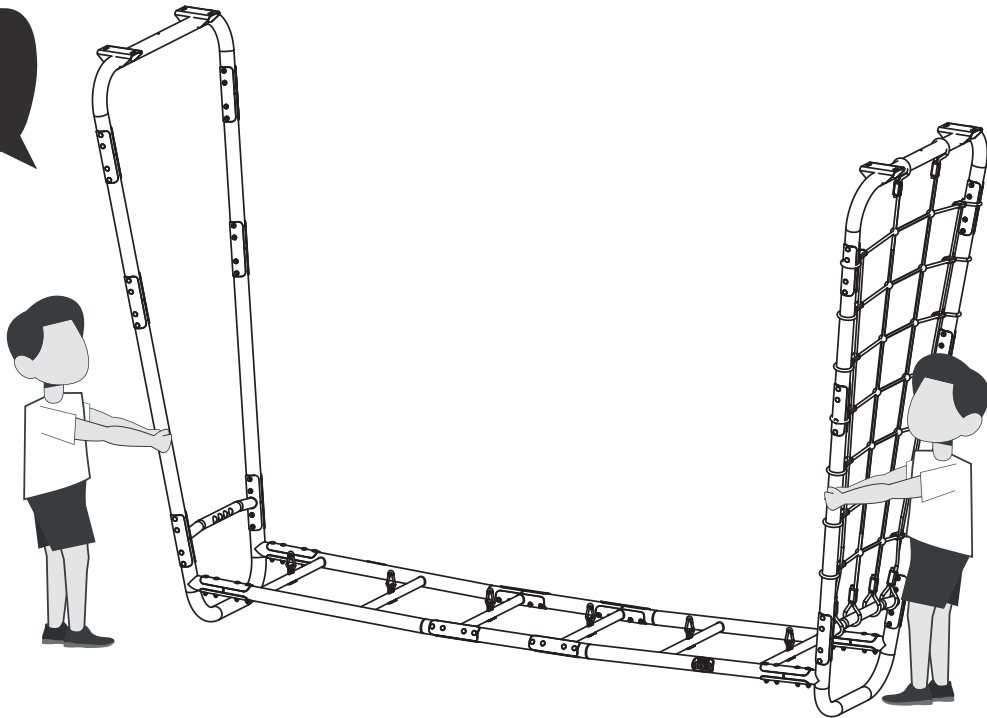
12



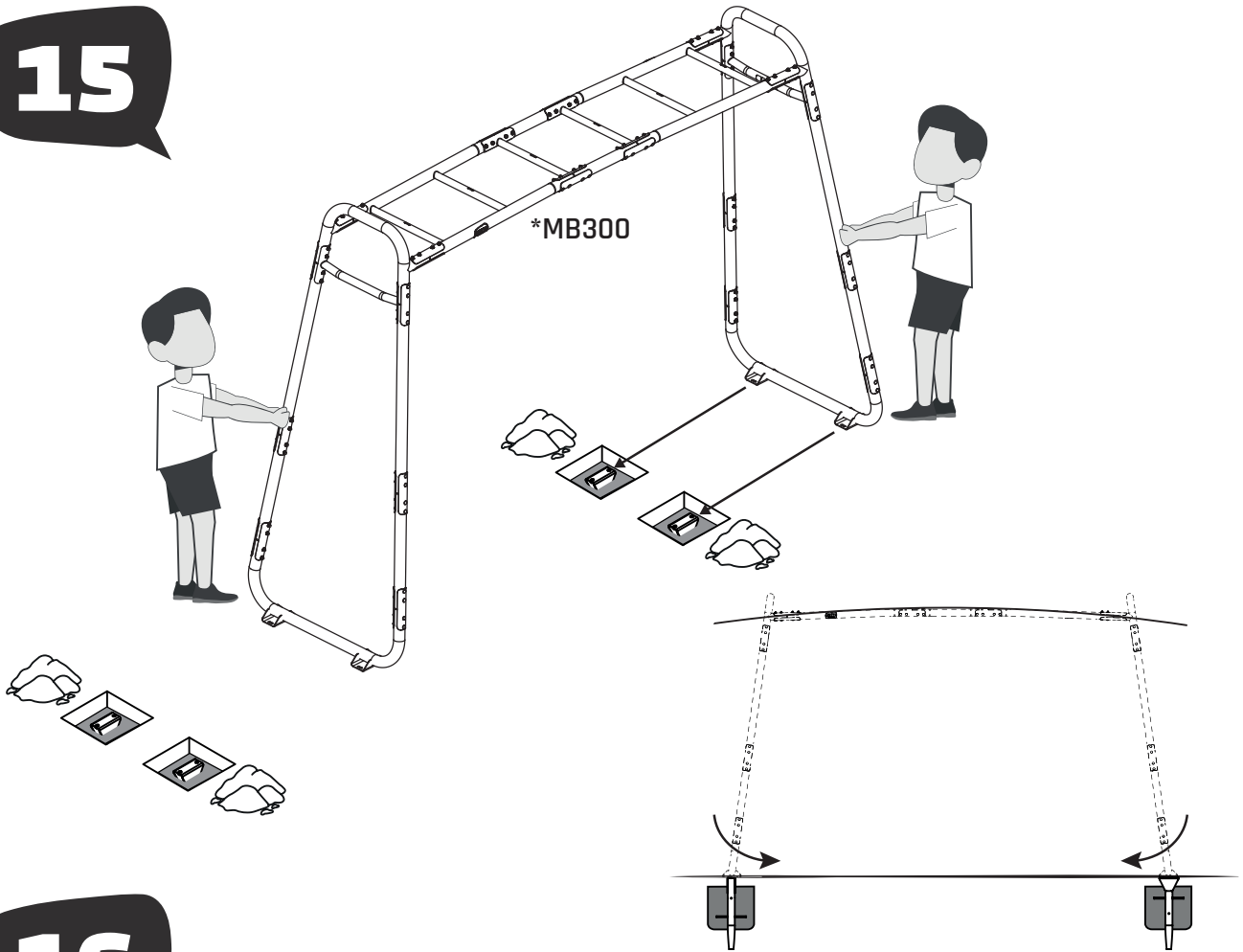
13



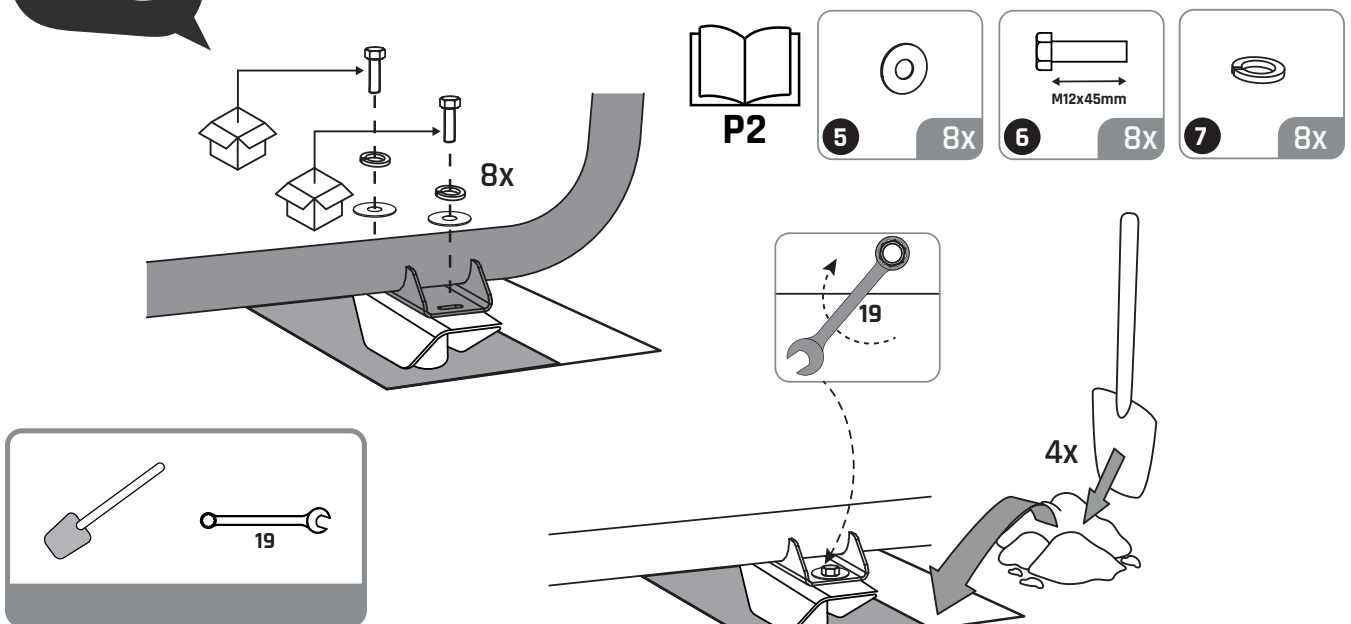
14

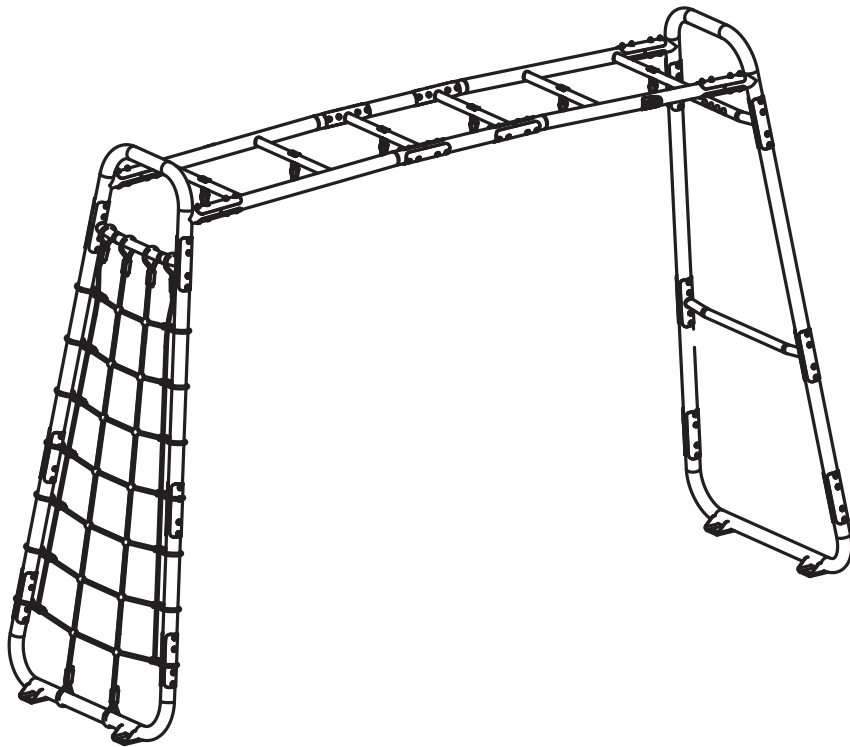
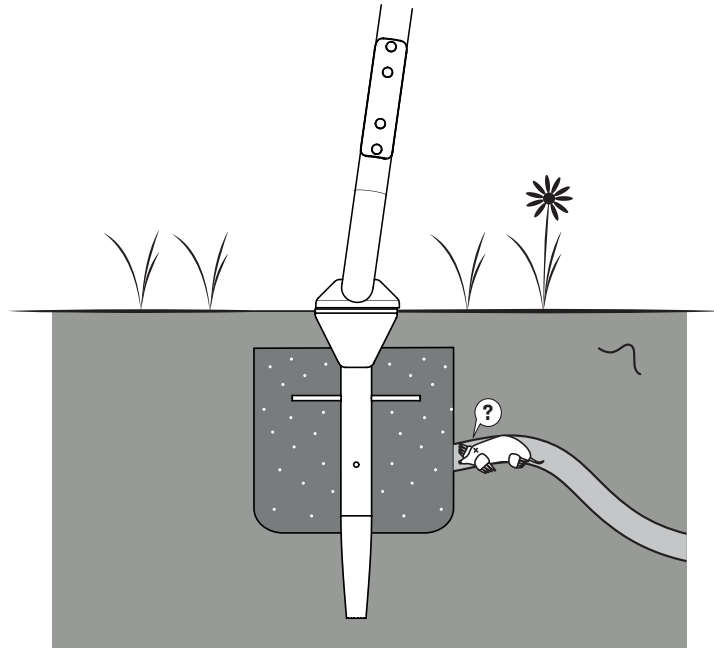


15

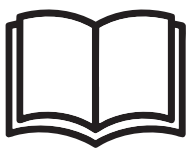
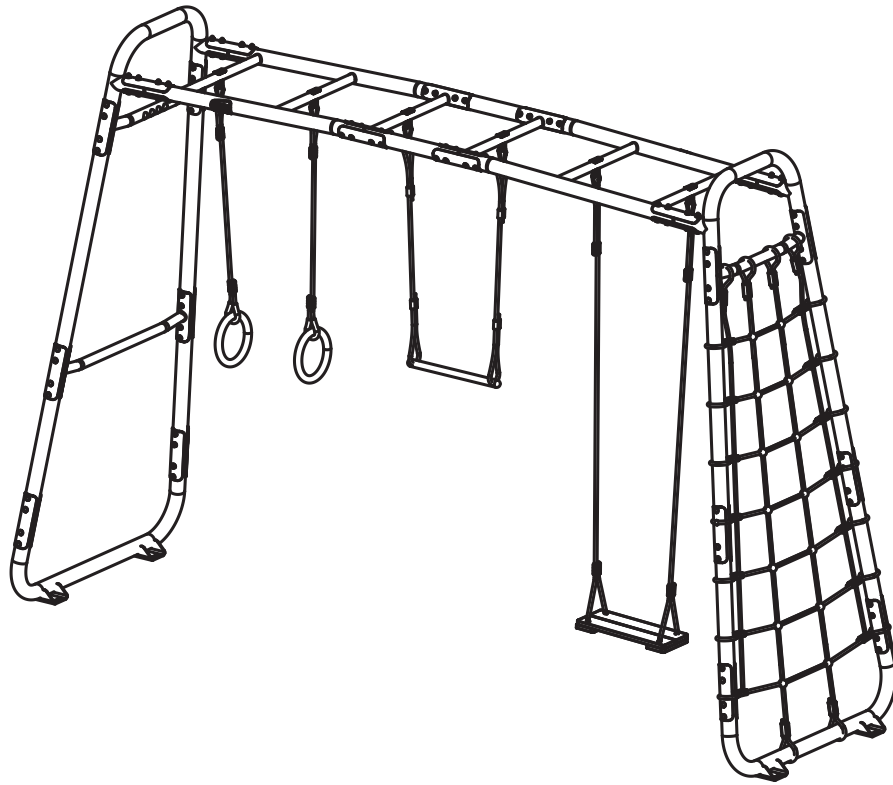


16

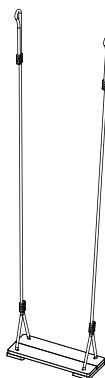








EXIT GetSet Hanging accessories
EAN 8721111204423



54.90.40.00

+



54.90.42.00

+



Wood: 54.90.41.00
Plastic: 54.90.41.10





www.exittoys.com



Contact Information:

Dutch Toys Group B.V.
Edisonstraat 83
7006 RB Doetinchem, The Netherlands

info@exittoys.com
www.exittoys.com

EXIT Toys is part of:

SIMBA · DICKIE · GROUP

EXIT Toys is a registered trade mark of Dutch Toys Group